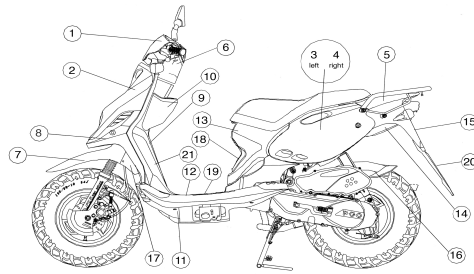


Rough House 50 Table of Contents

Table	System
Page 1	Body Panels
E1	Crankcase, Oil Pump
E2	Cylinder, Cylinder Head, Fan Cover
E3	Generator, Fan
E4	Driving Face
E5	Crankshaft, Piston
E6	Belt, Pulley Comp, Driven Face
E7	Left Hand Side Cover
E8	Transmission
E9	Carburetor
E10	Air Cleaner Comp.
E11	Muffler
E12	Rear Wheel
E13	Center Stand, Side Stand

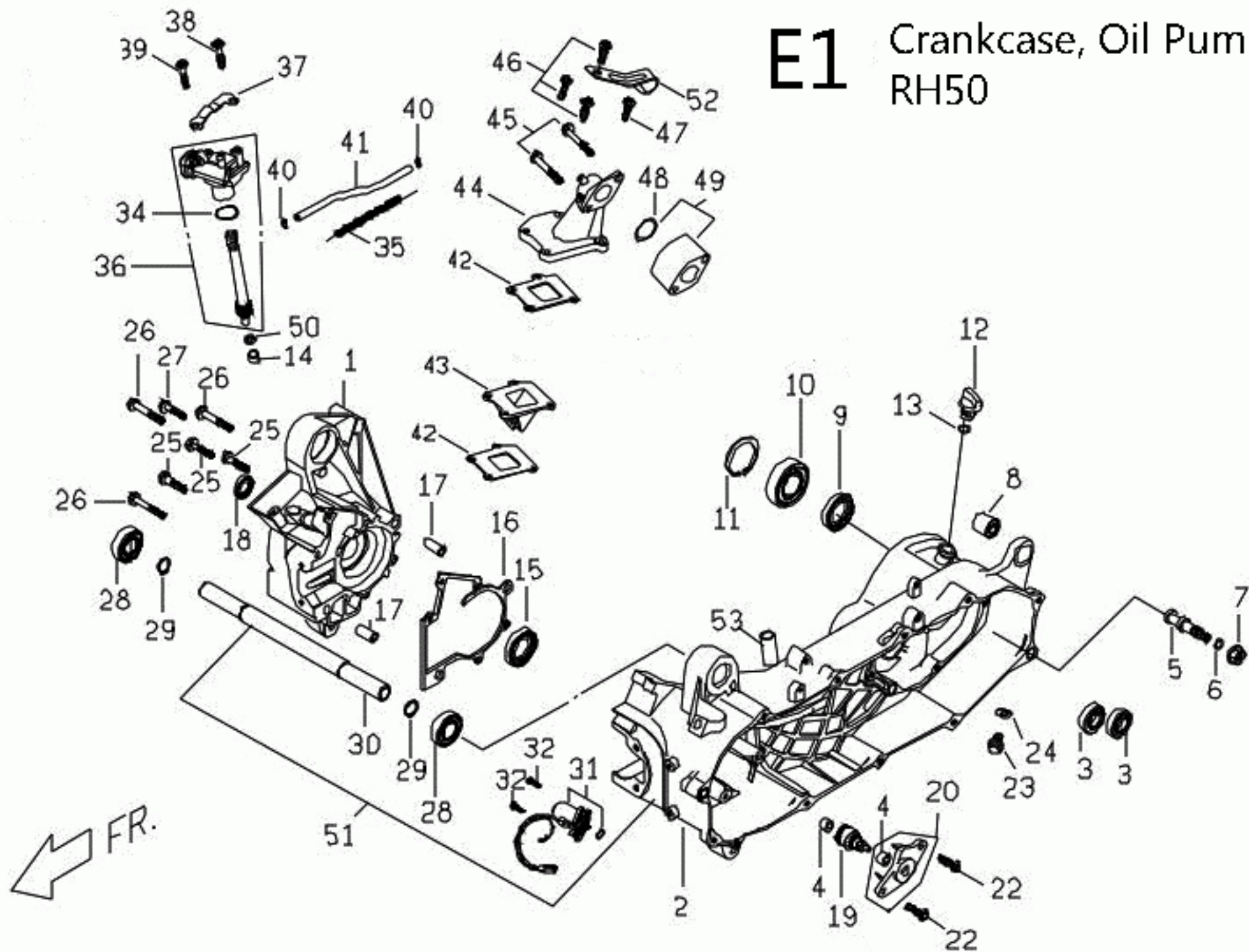
Table	System
F1	Head Light
F2	Speedometer
F3	Cable, Switches, Mirrors
F4	Handle Bar, Cover Upper & Lower, Front Turn Signals
F5	Front Fork, Front Fender
F6	Front Wheel, Caliper, Disk
F7	Front Shield Bracket, Front Lower Cover
F8	Step Floor, Body Cover, Rear Rack, Battery
F9	Seat, Under Seat Case
F10	Rear Turn Signal, License Plate
F11	Tail Light
F12	Frame
F13	Wire Harness, Ignition Switch, Key Sets
F14	Oil Tank
F15	Fuel Tank
F16	Emblems, Labels, Stickers



ROUGHHOUSE/ BLACK CAT Body Panels

NO	PART NAME	BLACK CAT YELLOW	ROUGH HOUSE GREEN	ROUGH HOUSE BLUE	ROUGH HOUSE BLACK	ROUGH HOUSE RED w/RED HEADSET	ROUGH HOUSE w/ BLACK HEADSET	ROUGH HOUSE BLACK MATTE	ROUGH HOUSE GREEN MATTE	DEALER COST	MSRP
1	COVER,UPPER	P2613001690	P2613001690	P2613001690	P2613001690	P2613001110	P2613001690	P26130016800	P26130016800	\$ 26.63	\$ 56.88
2	WINDSHIELD	P262100012P0	P06210003P00	P06210004600	P06210006900	P06210001100	P06210001100	P06210006800	P06210003100	\$ 43.05	\$ 97.43
3	LH BODY COVER	P26253012P0	P26253013P00	P26253014600	P26253016900	P26253011100	P26253011100	P26253016800	P26253013100	\$ 20.13	\$ 45.50
4	RH BODY COVER	P26255002P0	P26255003P00	P26255004600	P26255006900	P26255001100	P26255001100	P26255006800	P26255003100	\$ 20.13	\$ 45.50
5	REAR COVER	P26257002P0	P26257003P00	P26257004600	P26257006900	P26257001100	P26257001100	P26257006800	P26257003100	\$ 21.56	\$ 47.13
NO	PART NAME	YELLOW+BLACK	BLACK	BLACK	BLACK	BLACK	BLACK	BLACK	BLACK		
6	COVER,LOWER	P261D0026500	P261D0026500	P261D0026500	P261D0026500	P261D0026500	P261D0026500	P261D0026500	P261D0026500	\$ 5.04	\$ 11.38
7	FRT.FENDER(FRT SECTION)	P26320012P01	P2632001650	P2632001650	P2632001650	P2632001650	P2632001650	P2632001650	P2632001650	\$ 21.57	\$ 47.13
8	FRT COVER,LOWER	P26260010650	P26260010650	P26260010650	P26260010650	P26260010650	P26260010650	P26260010650	P26260010650	\$ 10.07	\$ 22.75
9	FRT INNER COVER	P262C0036501	P262C0036501	P262C0036501	P262C0036501	P262C0036501	P262C0036501	P262C0036501	P262C0036501	\$ 18.65	\$ 42.15
10	FRT LUGGAGE CASE	P2622000650	P2622000650	P2622000650	P2622000650	P2622000650	P2622000650	P2622000650	P2622000650	\$ 2.38	\$ 5.37
11	STEP FLOOR COVER, LOWER	P2626001650	P2626001650	P2626001650	P2626001650	P2626001650	P2626001650	P2626001650	P2626001650	\$ 10.07	\$ 22.75
12	STEP FLOOR	P26240006501	P2624000650	P2624000650	P2624000650	P2624000650	P2624000650	P2624000650	P2624000650	\$ 31.63	\$ 71.50
13	BODY COVER,FRONT	P26250406501	P2625040650	P2625040650	P2625040650	P2625040650	P2625040650	P2625040650	P2625040650	\$ 17.62	\$ 39.82
14	BODY COVER, LOWER	P2625022650	P2625022650	P2625022650	P2625022650	P2625022650	P2625022650	P2625022650	P2625022650	\$ 5.72	\$ 12.90
15	LICENCE PLATE	P26360026500	P26360026500	P26360026500	P26360026500	P26360026500	P26360026500	P26360026500	P26360026500	\$ 5.04	\$ 11.38
16	REAR FENDER	P2634000650	P2634000650	P2634000650	P2634000650	P2634000650	P2634000650	P2634000650	P2634000650	\$ 5.72	\$ 12.90
17	FRT.FENDER (REAR SECTION)	P2632601650	P2632601650	P2632601650	P2632601650	P2632601650	P2632601650	P2632601650	P2632601650	\$ 1.80	\$ 4.07
18	MIDDLE COVER	P2625010650	P2625010650	P2625010650	P2625010650	P2625010650	P2625010650	P2625010650	P2625010650	\$ 2.88	\$ 6.50
19	BATTERY COVER	P2624030650	P2624030650	P2624030650	P2624030650	P2624030650	P2624030650	P2624030650	P2624030650	\$ 2.88	\$ 6.50
20	LOWER FENDER	P2635001650	P2635001650	P2635001650	P2635001650	P2635001650	P2635001650	P2635001650	P2635001650	\$ 2.17	\$ 4.88
21	VIN COVER	P16230122P00	P1623012650	P1623012650	P1623012650	P1623012650	P1623012650	P1623012650	P1623012650	\$ 7.19	\$ 16.25
*	MIRROR LEFT	P261F010000	P261F010000	P261F010000	P261F010000	P261F010000	P261F010000	P261F010000	P261F010000	\$ 7.19	\$ 16.25
*	MIRROR RIGHT	P261F020000	P261F020000	P261F020000	P261F020000	P261F020000	P261F020000	P261F020000	P261F020000	\$ 7.19	\$ 16.25

E1 Crankcase, Oil Pump RH50

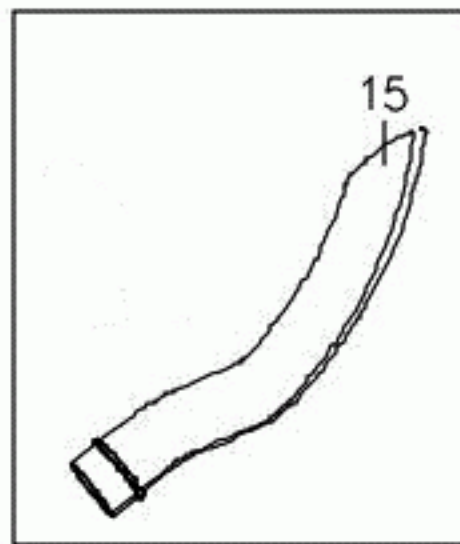
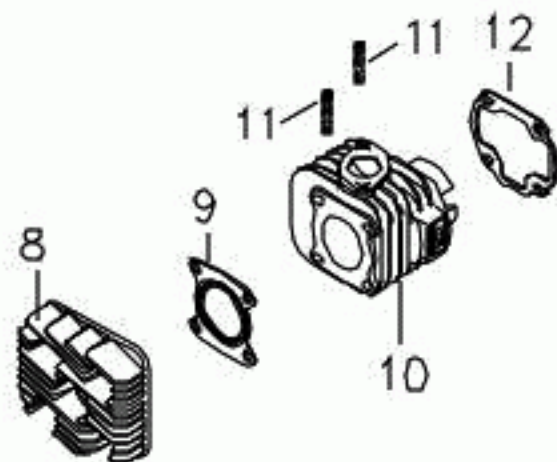
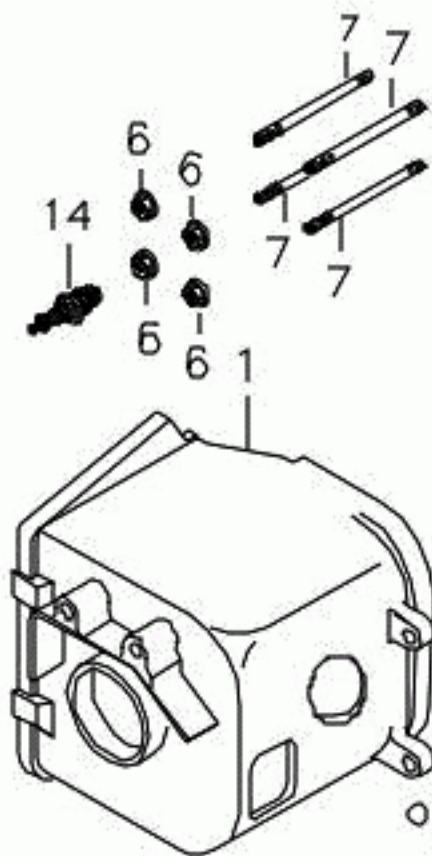
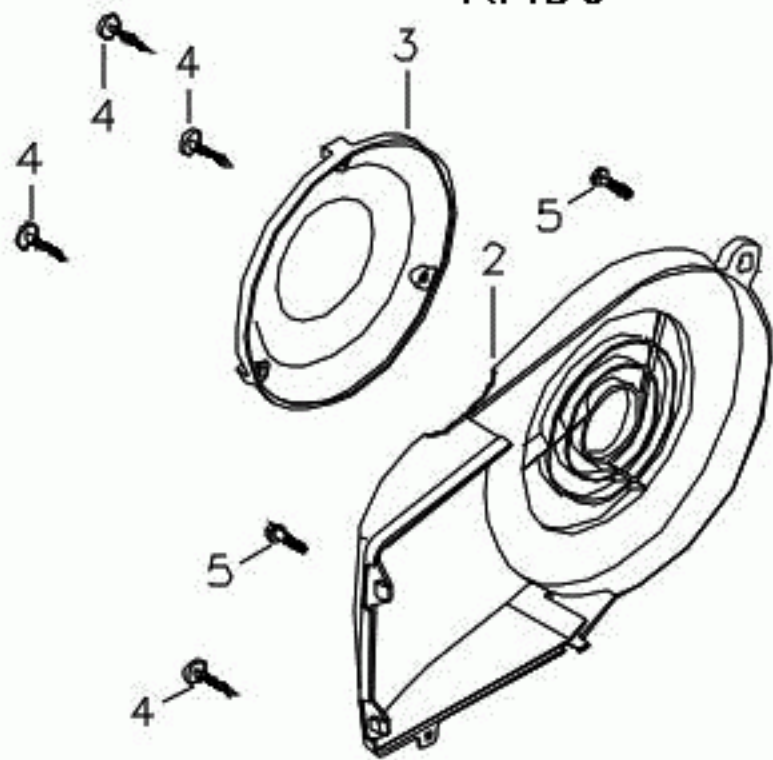


E1 CRANK CASE / OIL PUMP

NO.	PART NUMBER	QTY	PART NAME	NO.	PART NUMBER	QTY	PART NAME
1	P106A010000	1	RIGHT CRANK CASE	28	96530600300	2	BALL BEARING, DOUBLE SEALED
2	P10620100002	1	LH CRANKCASE	29	92171700000	2	RETAINING RING C TYPE
3	96510620000	2	BALL BEARING	30	P1486020000	1	PIVOT,E/G HANGER
4	E1062130000	2	BUSH	31	E1241001000	1	STARTING MOTOR COMP
5	P140743000	1	PIVOT REAR BK.SHOE	32	90210602000	2	HEXAGON SCOKET SCREW
6	95510800000	1	O RING(7.5*1.5)	34	95512000001	1	O RING(20D*1.5)
7	92060800000	1	HEXAGON FLANGE NUT (LOOSEPROOF	35	P1706611000	1	COMPRESSION SPRING
8	P1062020000	1	BUSH, QUAKEPROOF	36	P10810010001	1	OIL PUMP ASSY
9	95572540700	1	OIL SEAL, TC TYPE	37	P10812100000	1	PLATE,OIL PUMP
10	96530620400	1	BALL BEARING, DOUBLE SEALED	38	90190603503	2	HEXAGON FLANGE BOLT(M6*35L)
11	92164700000	1	RETAINING RING C TYPE	39	90190601203	1	HEXANGON FLANGE BOLT(M6*1.0P*1
12	P1062150000	1	OIL BOLT	40	93550500800	2	SPRING PIN
13	95511300001	1	O RING	41	P5081301000	1	RUBBER TUBE OIL OUT
14	E1061030000	1	BUSH	42	P1261021000	1	GASKET REED VALVE
15	95572038700	1	TC OIL SEAL	43	P1261101000	1	REED VALVE COMP
16	P1061041000	1	CRANKCASE GASKET	44	P1261014000	1	INTAKE MANIFOLD
17	93541002300	2	LOCK PIN(10*23)	45	90190603503	2	HEXAGON FLANGE BOLT(M6*35L)
18	95571525700	1	OIL SEAL, TC TYPE (15*25.5*7)	46	90180602501	3	HEXAGON FLANGE BOLT
19	E1242000000	1	IDLE GEAR COMP,STARTING MOTOR	47	90190608600	1	HEXAGON FLANGE BOLT
20	P1242111000	1	HOLDER COMP, STARTER CLUTCH	48	95512300000	1	O RING
22	90190601604	2	HEXANGON FLANGE BOLT	49	P12613000001	1	INSULATOR COMP,CARB
23	90190801202	1	HEXAGON FLANGE BOLT (M8*12L)	50	92140700001	1	WASHER(7.2D*12D*1.0T)
24	92140800001	1	WASHER (8*1.6T)	51	P106K0100002	1	CRANKCASE COMP,LH/RH
25	90190604500	3	HEXAGON FLANGE BOLT (M6*45L)	52	P1706400000	1	FIXING CLIP
26	90190606000	3	HEXAGON FLANGE BOLT(M6*60L)	53	P0286330000	1	GUIDE TUBE
27	90190602700	1	BOLT M6*27L				

E2

Cylinder, Cylinder Head, Fan Cover, Cooling Cowl RH50



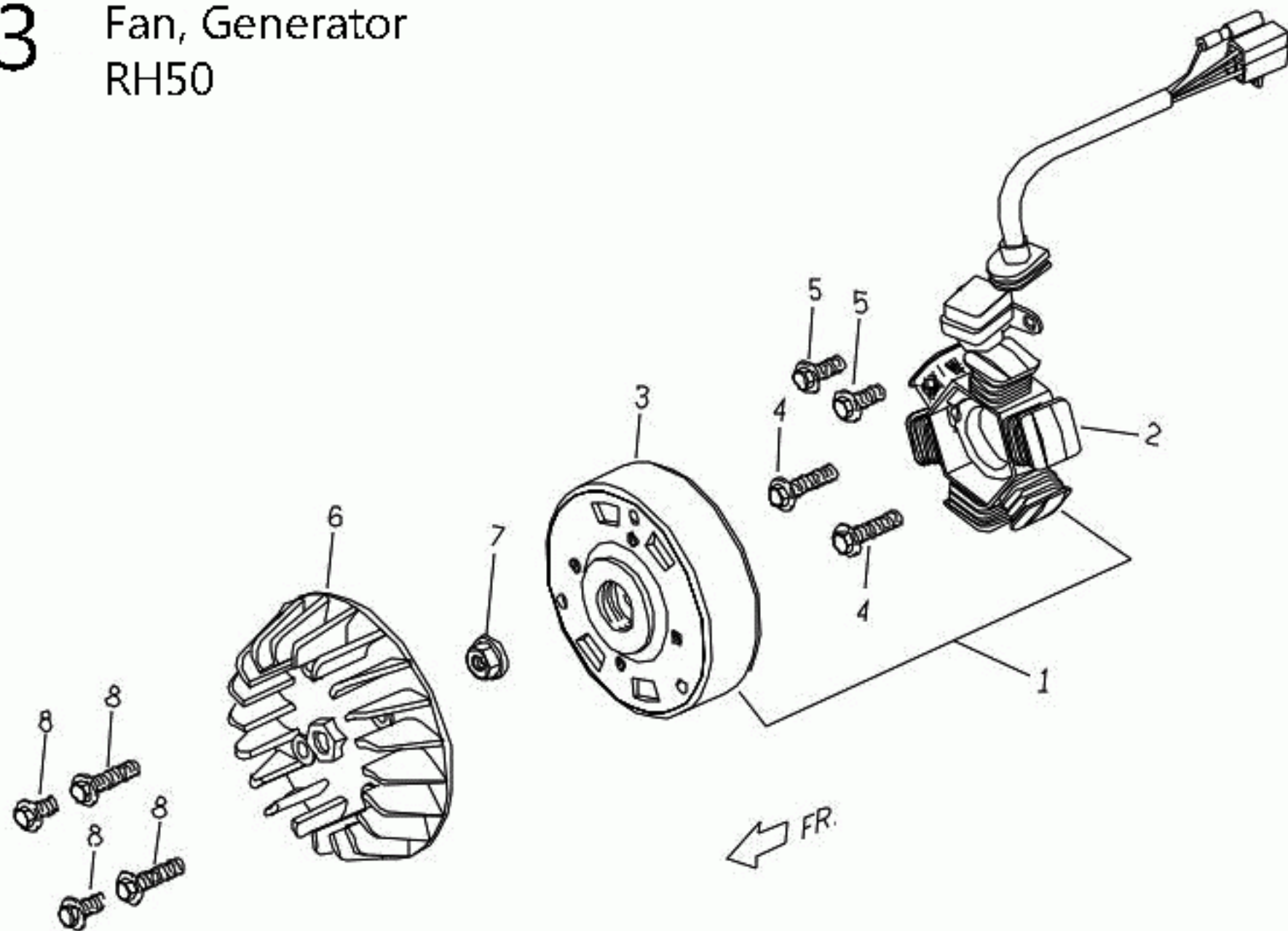
optional device for frozen area

E2 CYLINDER / CYLINDER HEAD/ FAN COVER / COOLING COWL

NO.	PART NUMBER	QTY	PART NAME
1	P10421000001	1	COOLING COWL
2	P1042001000	1	FAN COVER
3	E1042200000	1	OUTER FAN COVER
4	90110401200	4	CR PAN HD TAPPING SC
6	92040700000	4	HEXAGON FLANGE NUT(M7*1P)
7	P1061050000	4	STUD BOLT
8	P1065010000	1	CYLINDER HEAD
9	P1065110000	1	GASGET ,CYLINDER HD
10	P1064010000	1	CYLINDER
11	90170602602	2	STUD BOLT
12	P1064111000	1	GASKET CYL.
13	90190601203	2	HEXANGON FLANGE BOLT(M6*1.0P*1
14	P12220000002	1	SPARKING PLUG
15	P1042110000	1	GUIDANCE PIPE

E3

Fan, Generator RH50

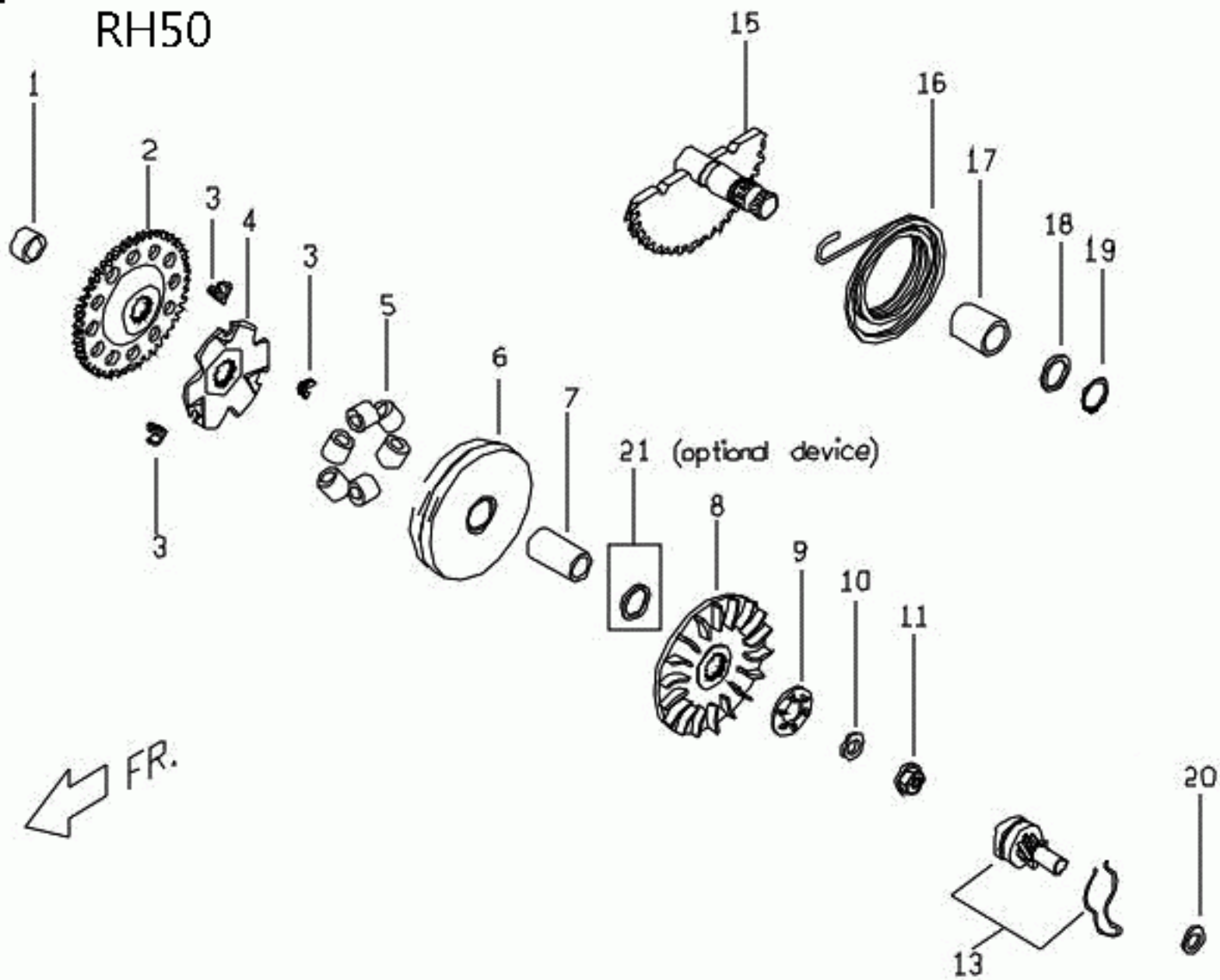


E3 FAN / GENERATOR

NO.	PART NUMBER	QTY	PART NAME
1	P12210000002	1	A.C. GENERATOR COMP
2	P12210210003	1	STATOR COMP
3	P12210100001	1	FLYWHEEL COMP
4	90180601800	2	HEXAGON FLANGE BOLT
5	90190601203	2	HEXANGON FLANGE BOLT(M6*1.0P*1
6	P1043000000	1	FAN
7	92041000001	1	HEXAGON FLANGE NUT (M10*P1.25)
8	90190601206	4	HEXANGON FLANGE BOLT

E4

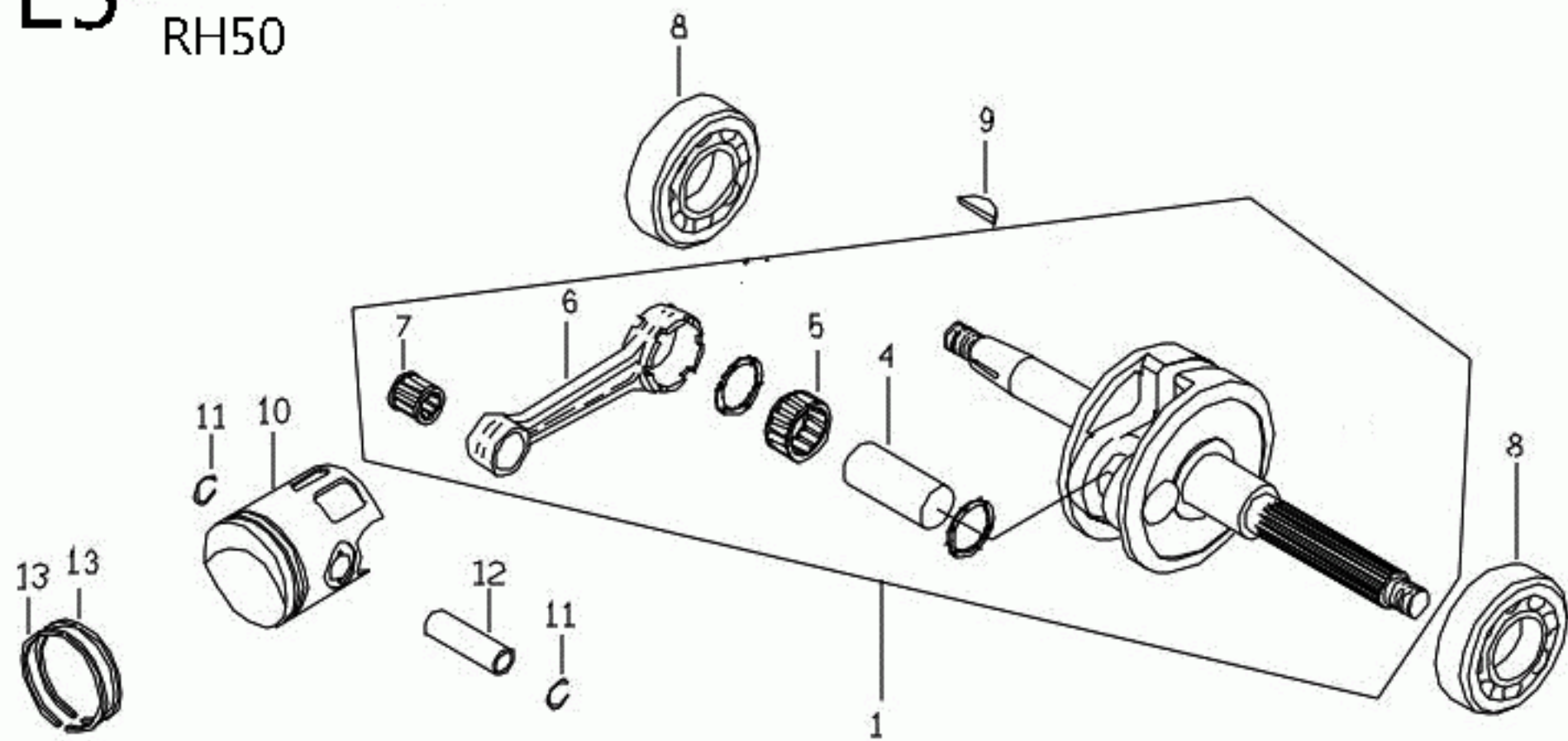
Driving Face RH50



E4 DRIVING FACE

NO.	PART NUMBER	QTY	PART NAME
1	P1242210000	1	SPACER TUBE
2	P1242200000	1	DRIVEN GEAR, STARTER
3	P1121320000	3	SLIDE PIECE
4	P1121310000	1	PLATE, RAMP
5	P1121200000	6	WEIGHT ROLLER COMP(8.5G)
6	P1121101000	1	DRIVE FACE COMP,MOVABLE
7	P1121050000	1	DRIVE FACE BOSS,MOVABLE
8	P1121060000	1	DRIVE FACE
9	P1251030000	1	RATCHET ,KICK STARTER
10	92141000001	1	WASHER (10*2T)
11	92041000001	1	HEXAGON FLANGE NUT (M10*P1.25)
13	E1251000000	1	SPRING COMP,KICK STARTER DRIVE
15	E1251101000	1	SHAFT COMP,KICK STARTER
16	E2251110000	1	TORISON SPRING
17	E1251120000	1	BUSH
18	92141400000	1	WASHER (14*2T)
19	92171400000	1	RETAINING RING C TYPE (14*1T)
20	92141000011	1	WASHER(10.5*32.5D*1.T)
21	P11210800005	1	SPEED RESTRICTION COLLAR

E5 Crankshaft, Piston RH50

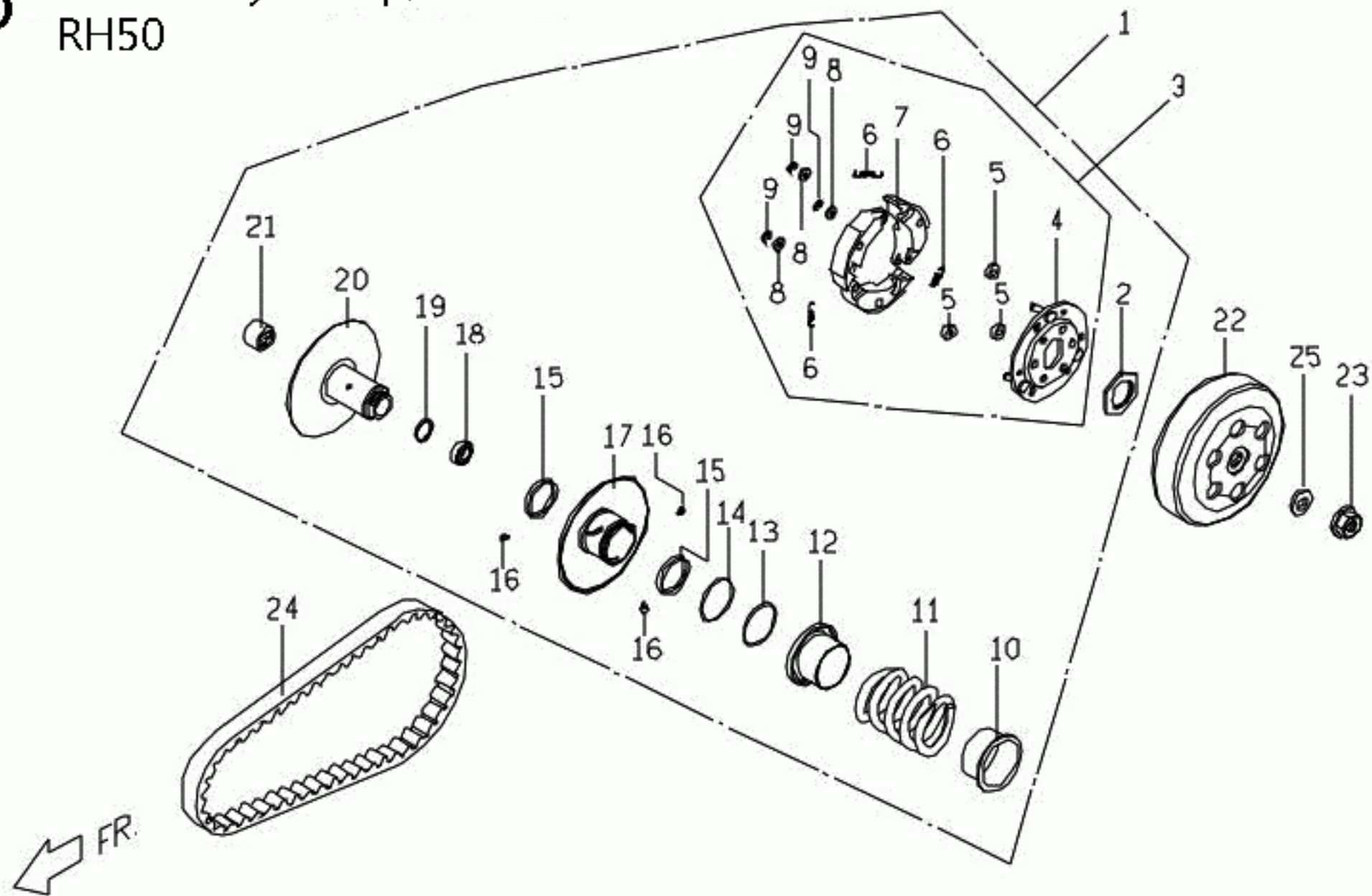


FR.

E5 CRANKSHAFT / PISTON

NO.	PART NUMBER	QTY	PART NAME
1	P1066000000	1	CRANKCASE COMP
4	P1066030000	1	CRANK PIN
5	96590162200	1	BEARING CAGE
6	P1066120000	1	CONNECTING ROD
7	96601001400	1	BEARING CAGE
8	E1062100000	2	BALL BEARING(20*52*12)
9	93530302400	1	WOODRUFF KEY
10	P1067010000	1	PISTON
11	E1067150000	2	CLIP,PISTON PIN
12	P1067110000	1	PISTON PIN
13	E10673100001	2	PISTON RING

E6 Belt Pulley Comp, Driven Face RH50

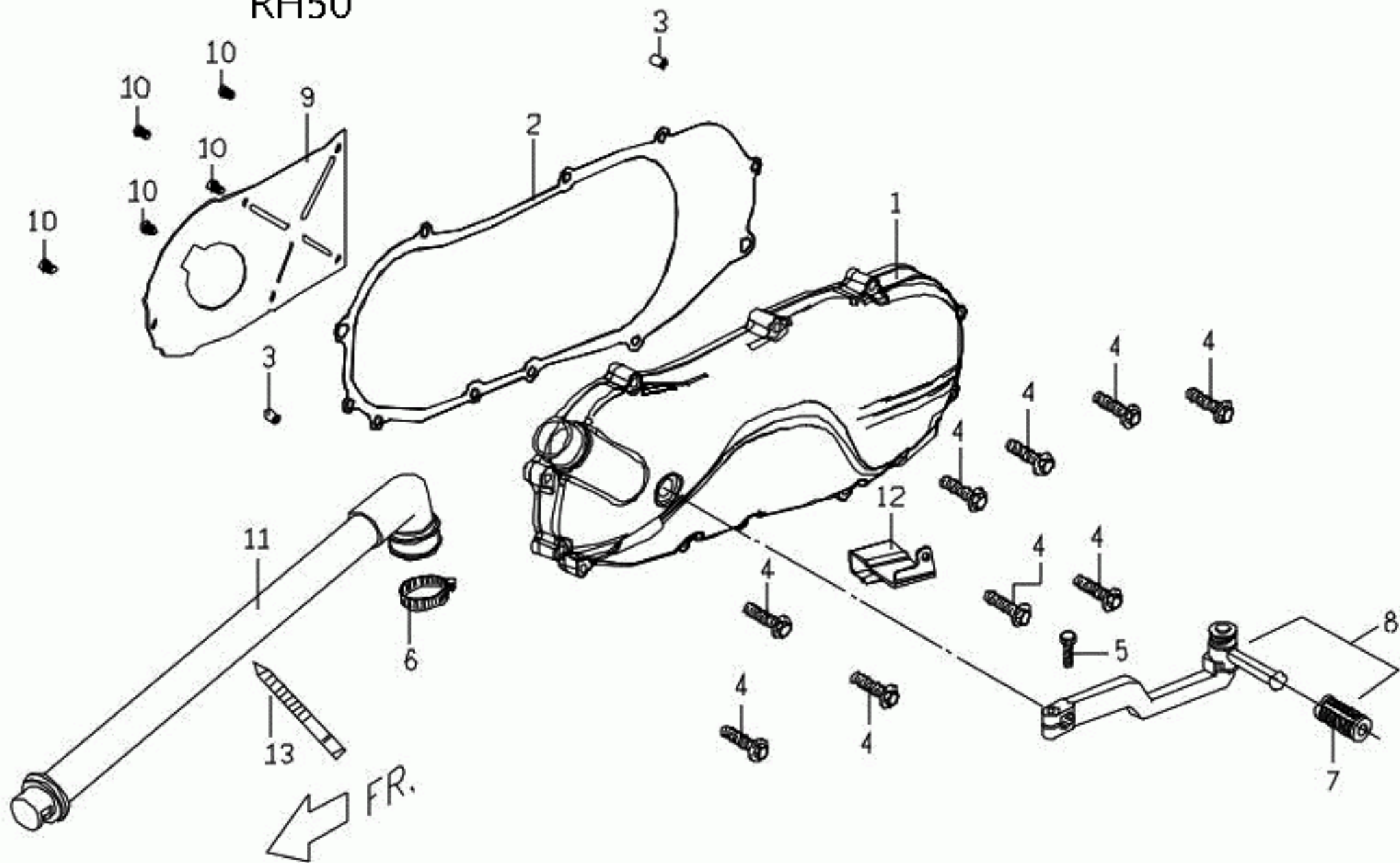


E6 BELT PULLEY COMP / DRIVEN FACE

NO.	PART NUMBER	QTY	PART NAME
1	P1123701000	1	BELT PULLEY COMP, DRIVEN FACE
2	P1123410000	1	NUT
3	P1123600000	1	PLATE ASSY, DRIVE
4	P1123300000	1	BODY COMP, DEIVE PLATE
5	P1123420000	3	DAMPER RUBBER , CLUTCH
6	P1123430000	3	SPRING, CLUTCH
7	P1123441000	3	WEIGHT SET, CLUTCH
8	92140600008	3	PLAIN WASHER
9	92180500000	3	RETAINING RING E TYPE (5D)
10	P1123330000	1	COLLAR, SPRING
11	P1123520000	1	SPRING, DRIVEN FACE
12	P1123530000	1	SEALED SOCKET
13	95513600000	1	O-RING (36D*1.5)
14	95514000001	1	O-RING (39.8D*2.2D)
15	95593439300	2	OIL SEAL G TYPE
16	P1123240000	3	PIN, GUIDE ROLLER
17	P1123210000	1	BODT COMP., MOVABLE DRIVEN FACE
18	96520690100	1	BRG, RADIAL BALL
19	92162400000	1	RETAINING RING C TYPE
20	P1123110000	1	BODY COMP , DEIVEN FACE
21	E1123140000	1	NEEDLE ROLLER BEARING
22	P1123510000	1	OUTER BODY COMP, CLUTCH
23	92041000001	1	HEXAGON FLANGE NUT (M10*P1.25)
24	P1122000000	1	V BELT
25	92141000001	1	WASHER (10*2T)

E7

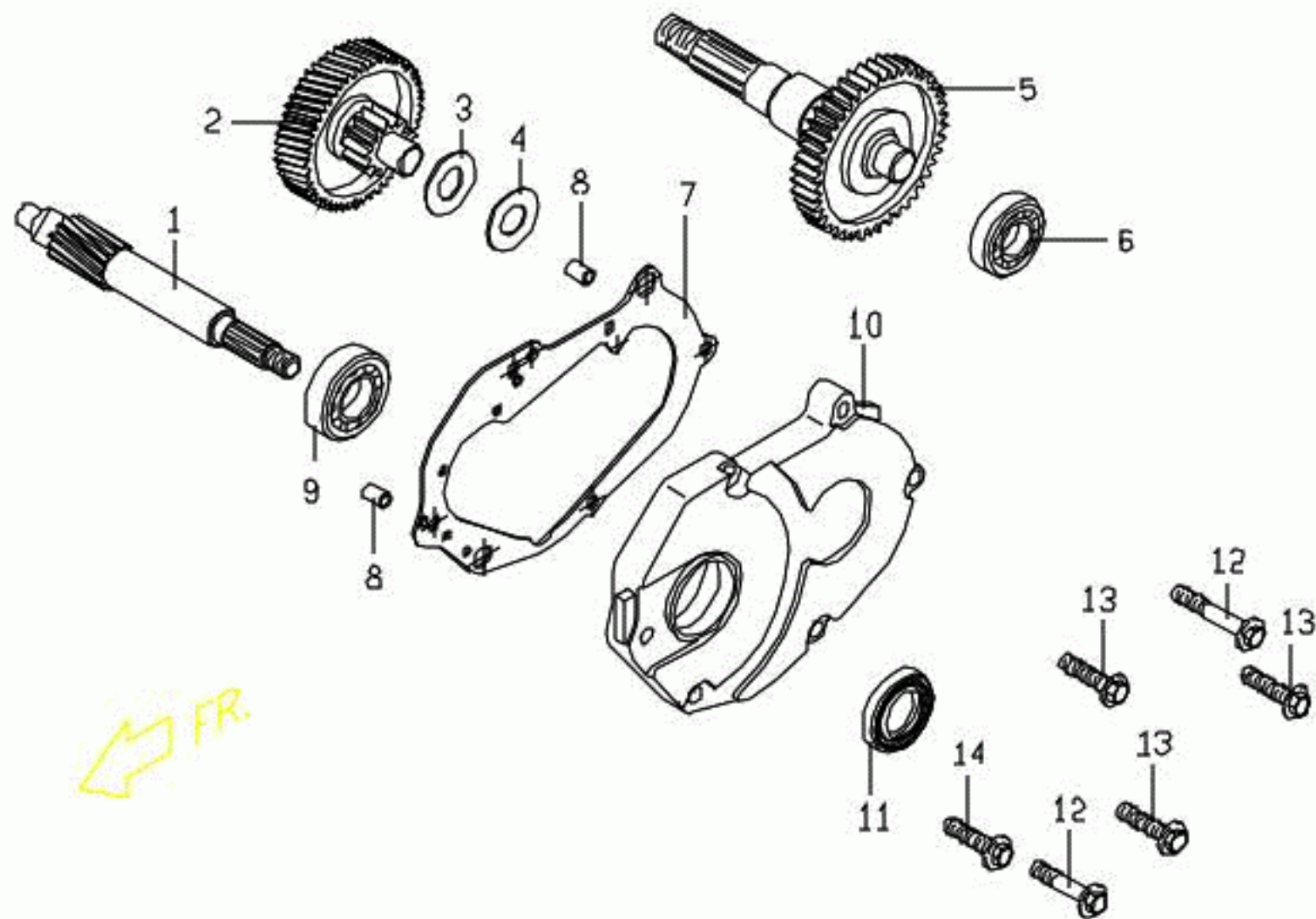
LH, Side Cover RH50



E7 LH SIDE COVER

NO.	PART NUMBER	QTY	PART NAME
1	P10630106D04	1	LH. SIDE COVER, BLACK GENUINE
1	P10630117201	1	LH. SIDE COVER, SILVER GENUINE
2	P10630210001	1	GASKET LEFT COVER
3	93541001401	2	LOCK PIN (10*14)
4	90190603503	10	HEXAGON FLANGE BOLT(M6*35L)
5	90020602203	1	HEXAGON BOLT
6	E1706280000	2	HOSE CLAMP(MIN30-MAX40)
7	E1251240000	1	RUBBER,PAD,KICK STARTER
8	P1251200000	1	KICK STARTER COMP
9	P1063060000	1	PARTITION PLATE
10	90050500900	5	CR ROUND HD MACHINE SCREW(M5*9
11	P5063030000	1	BREATHER PIPE
12	P2706030000	1	WIRE HOLDER,RR BRAKE
13	E1701031000	1	CLIP

E8 Transmission RH50



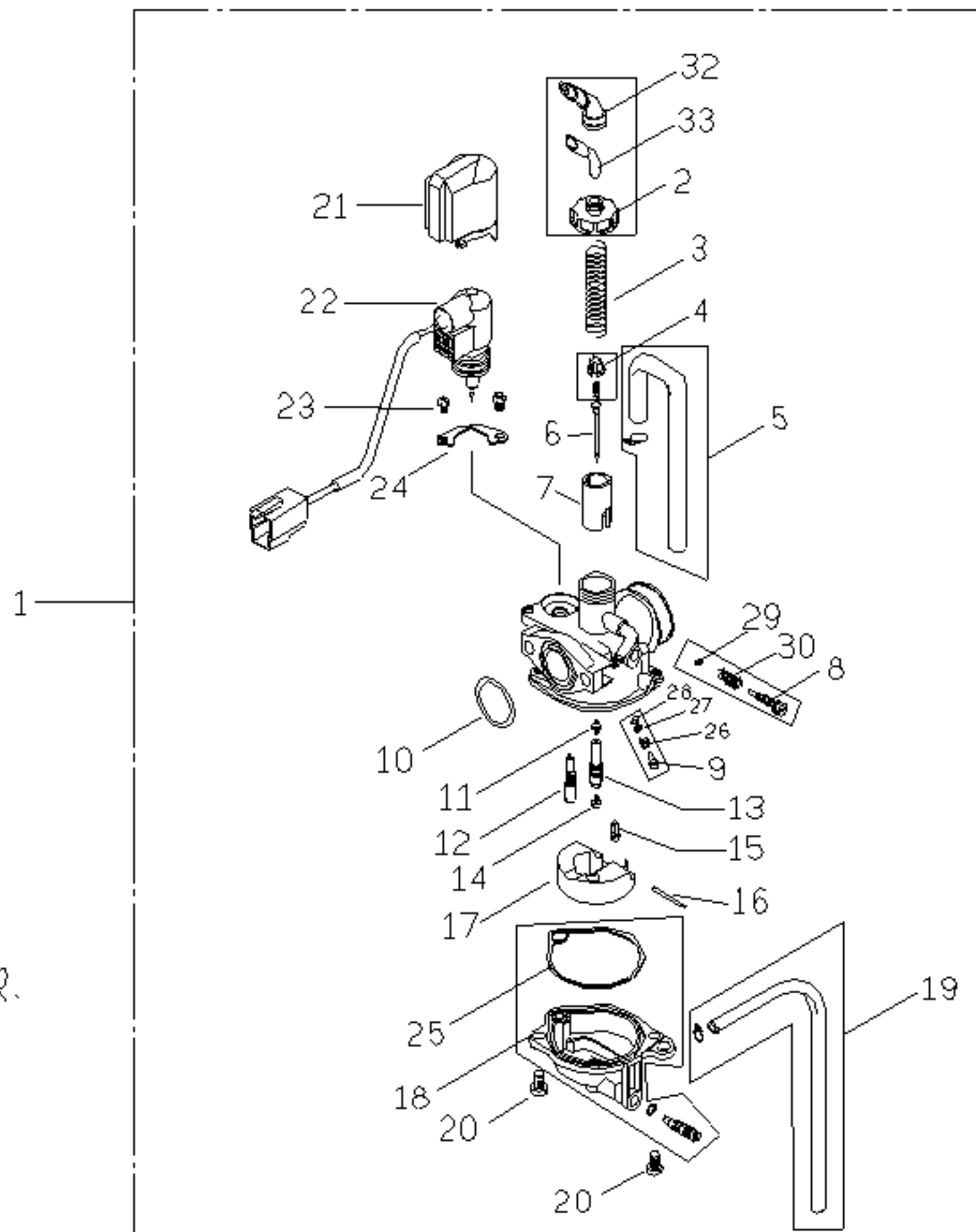
E8 TRANSMISSION

NO.	PART NUMBER	QTY	PART NAME
1	P1141101000	1	DRIVE AXLE
2	P1141200000	1	IDLE GEAR COMP
3	P1141230000	1	DISK SPRING WASHER
4	92141400003	1	WASHER(14D*1T)
5	P1141302000	1	FINAL GEAR COMP
6	96510620200	1	BALL BEARING
7	P1141021000	1	TRANS COVER GASKET
8	93541001401	2	LOCK PIN (10*14)
9	96510620301	1	BALL BEARING
10	P1141010000	1	TRANSMISSION COVER
11	95571735700	1	OIL SEAL, TC TYPE
12	90190603503	2	HEXAGON FLANGE BOLT(M6*35L)
13	90180602501	3	HEXAGON FLANGE BOLT (M6*25L)
14	90180602002	1	HEXAGON FLANGE BOLT (M6*20L)

E9

Carburetor RH50

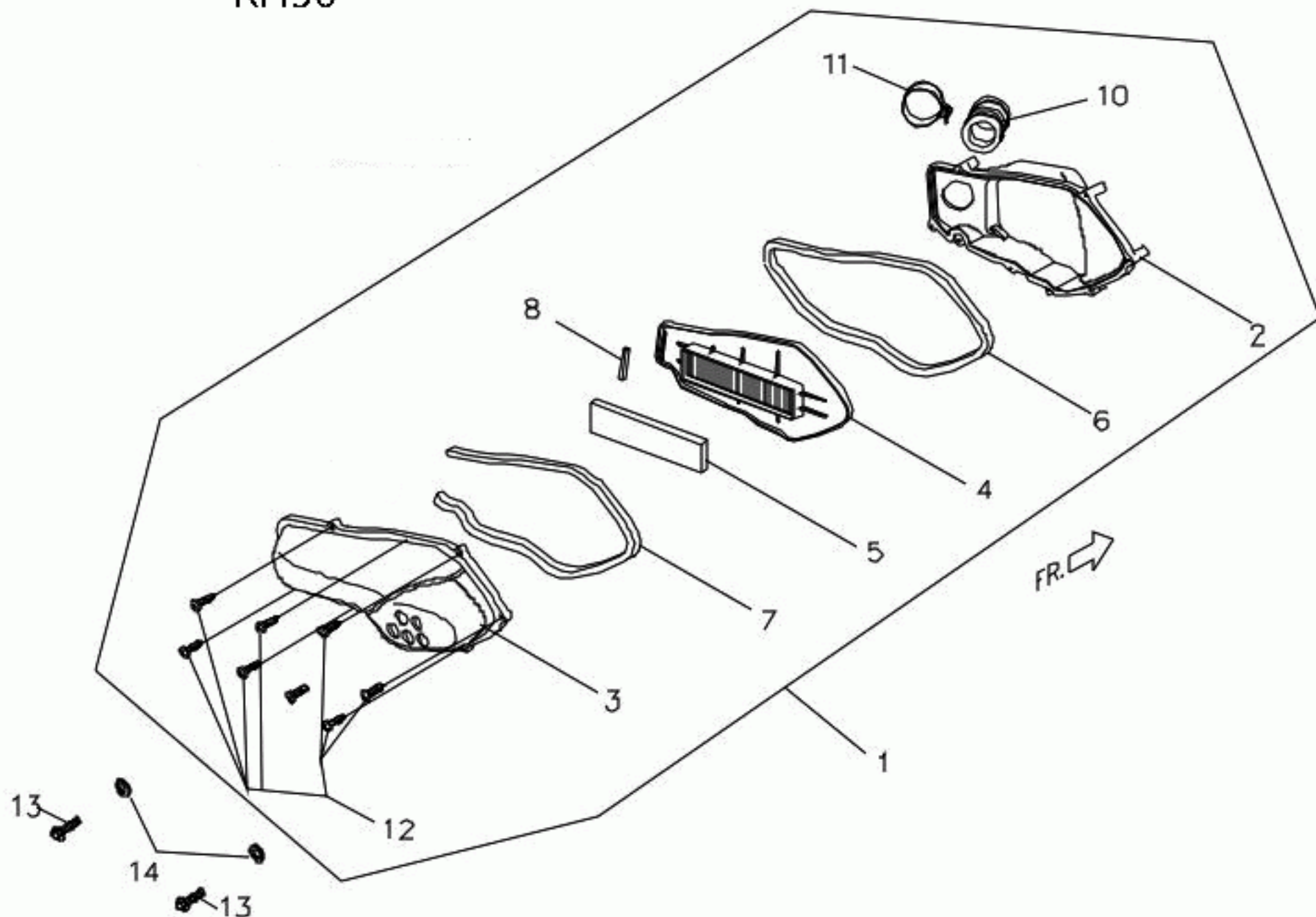
← FR.



E9 CARBURETOR

NO.	PART NUMBER	QTY	PART NAME	NO.	PART NUMBER	QTY	PART NAME
1	P11510020000	1	CARB ASSY, KEIHIN PB009	18	N35031H00	1	FLOAT CHAMBER BODY COMP
2	D1590TA10100	1	TOP COMP	19	16147MN90040	1	DRAIN TUBE
3	1300KG8H9010	1	COMPR.SPG.	20	938920401418	2	SCREW,WASHER
4	1019GW3H9800	1	VALVE PLATE	21	D17838380100	1	HOLDER CAP
5	16199GY69000	1	TUBE	22	40000230001	1	A/BYST ASSY
6	KT425KLE9000	1	JET NEEDLE COMP	23	938920400818	2	SCREW,WASHER
7	1020GWOH9200	1	THROTTLE VALVE	24	1703GJ2H0040	1	SET PLATE
8	D15358580100	1	STOP SCREW COMP	25	1051KG8H9010	1	FLOAT CHAMBER GASKET
9	1014GWOH9200	1	ADJUST SCREW	26	1300KG8H9010	1	COMPR.SPG.
10	D19KT0031500	1	O-RING	27	1795KG8H9010	1	PLAIN WASHER
11	1010GAKH9200	1	NEEDLE JET	28	16075KG89010M1	1	O RING
12	1001GW3H0351	1	SLOW JET, #35	29	16076ND50040	1	O RING
13	N41332A00	1	NEEDLE JET HOLDER	30	1300KG8HQ010	1	COMPR. SPG.
14	991011160820	1	MAIN JET, #82	31	1300GW3HQ800	1	COMPR.SPG.
15	106BKG8H9801	1	FLOAT VALVE COMP	32	1028GB4H0030	1	CABLE SEALING CAP
16	16152KG89010M1	1	FLOAT ARM PIN	33	1031181H8310	1	TOP GASKET
17	105B073H9931	1	FLOAT COMP				

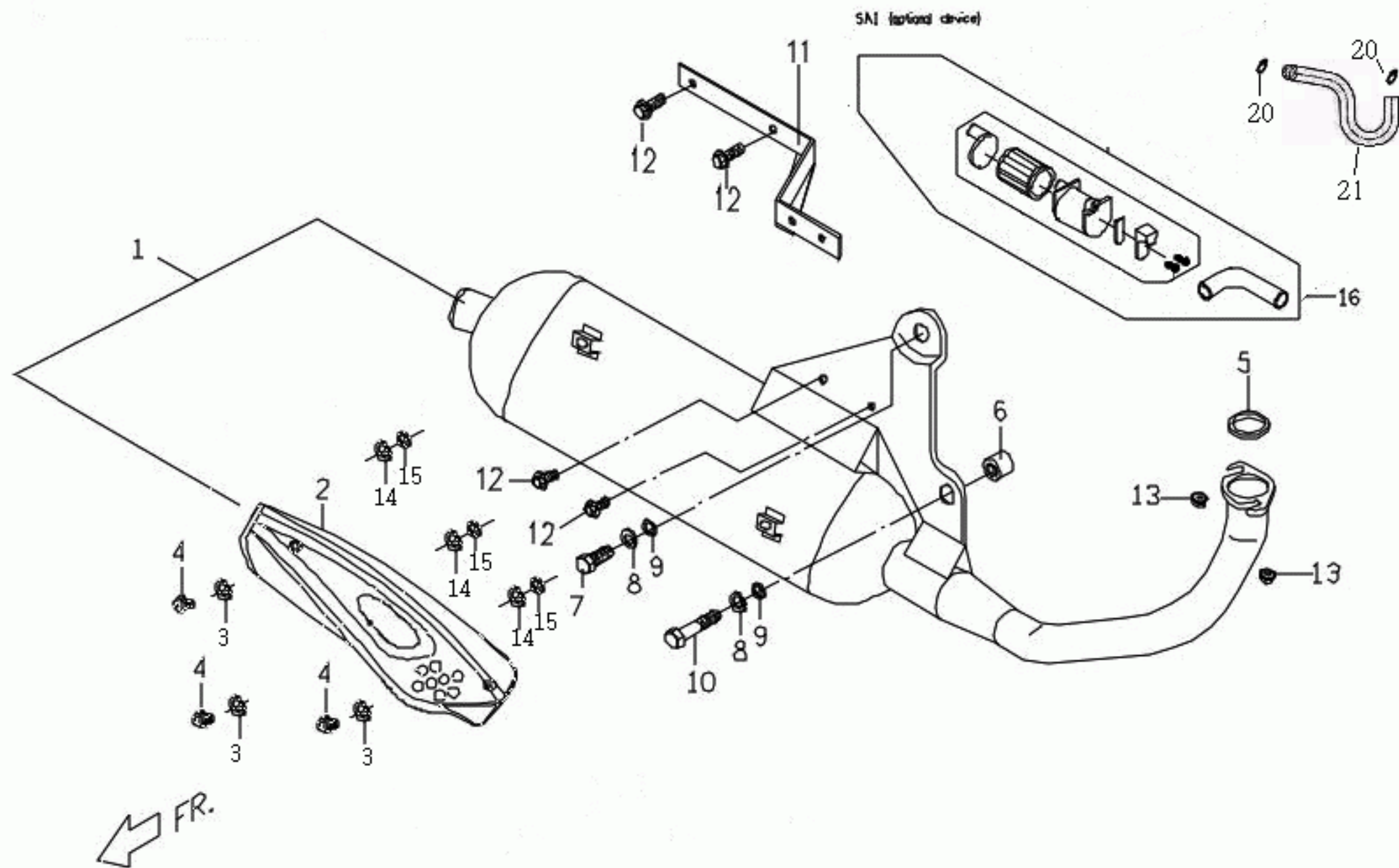
E10 Air Cleaner Complete RH50



E10 AIR CLEANER COMPLETE

NO.	PART NUMBER	QTY	PART NAME
1	P2262003000	1	AIR CLEANER COMP.
2	P2262012000	1	AIR CLEANING BODY
3	P2262021000	1	COVER, AIR CLEANER
4	P2262030000	1	AIR FILTER
5	P2262040000	1	SPONGE, AIR CLEANER
6	P226B050000	1	PACKING, AIR CLEANER
7	P226B060000	1	PACKING, AIR CLEANER
8	P226B070000	1	PACKING, AIR CLEANER
10	P1262080000	1	CONNECTING PIPE, AIR CLEANER
11	P1262110000	1	CLIP
12	90150502500	7	C-R TRUSS HD.TAPPING SCREW
13	90180602501	2	HEXAGON FLANGE BOLT
14	92140600018	2	WASHER

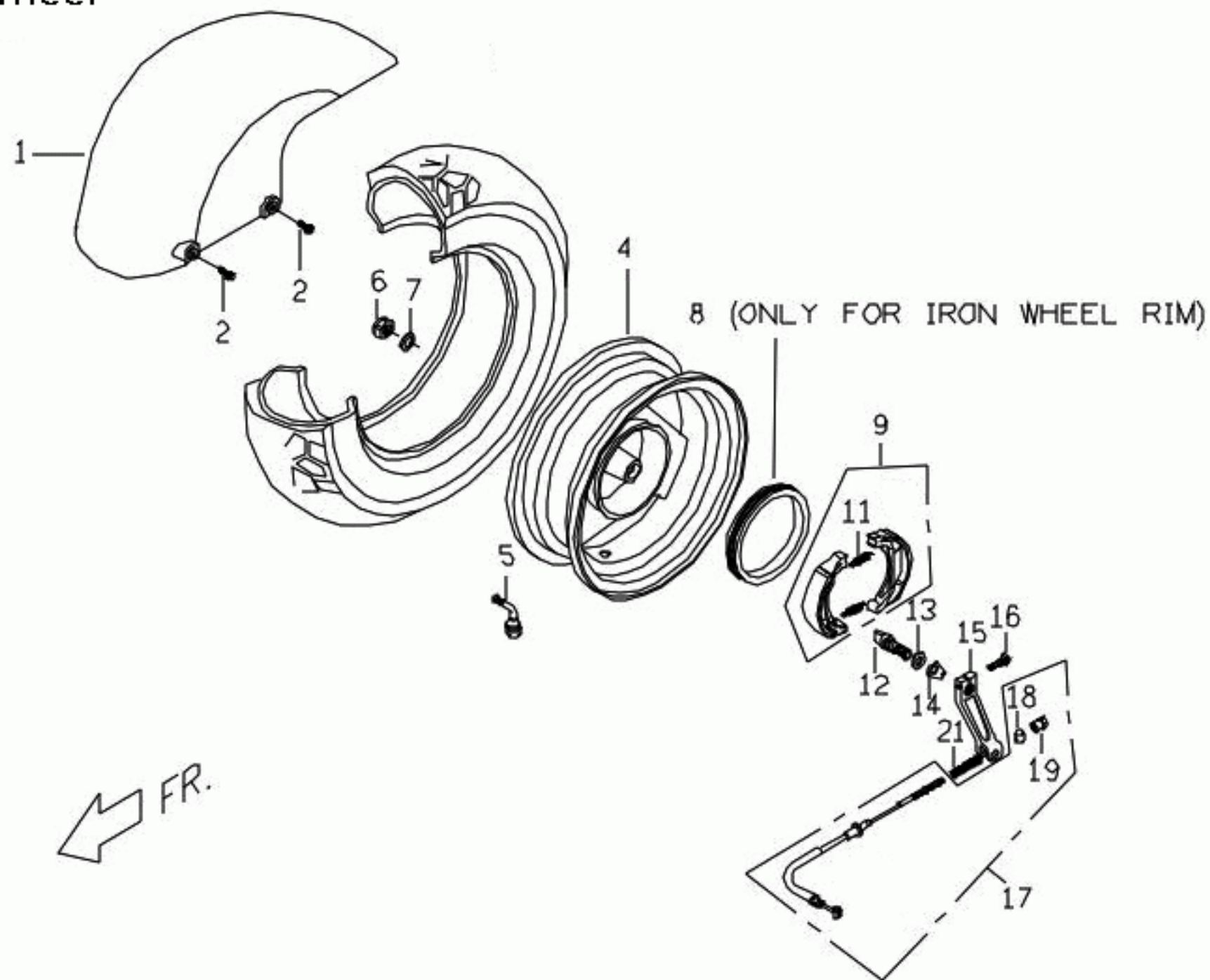
E11



E11 MUFFLER

NO.	PART NUMBER	QTY	PART NAME
1	P2281000000S	1	MUFFLER ASSY.
2	C12810100004	1	HEAT PROTECTOR
3	C328A020000	3	INNER SPACER
4	90050602000	3	C-R PAN HD MACHINE SCREW M6*20L
5	E9281020000	1	PACKING,MUFFLER
6	E1062020000	1	DAMPER BUSH
7	90190804003	1	HEXAGON FLANGE BOLT (M8*40L)
8	92110800000	2	SPRING WASHER(8D*14D*2.2T)
9	92140800000	2	PLAIN WASHER
10	90190802600	1	HEXAGON FLANGE BOLT (M8*26L)
11	P2634020000	1	FENDER BRACKET,RR
12	90180602000	4	HEXAGON FLANGE BOLT (M6*20L)
13	92050600003	3	HEXAGON FLANGE NUT
14	C328A040000	3	CIRCLET
15	92140600015	3	HIGH TEMPERATURE WASHER
16	P22861020002	1	SECOND AIR CLEANER ASSY.

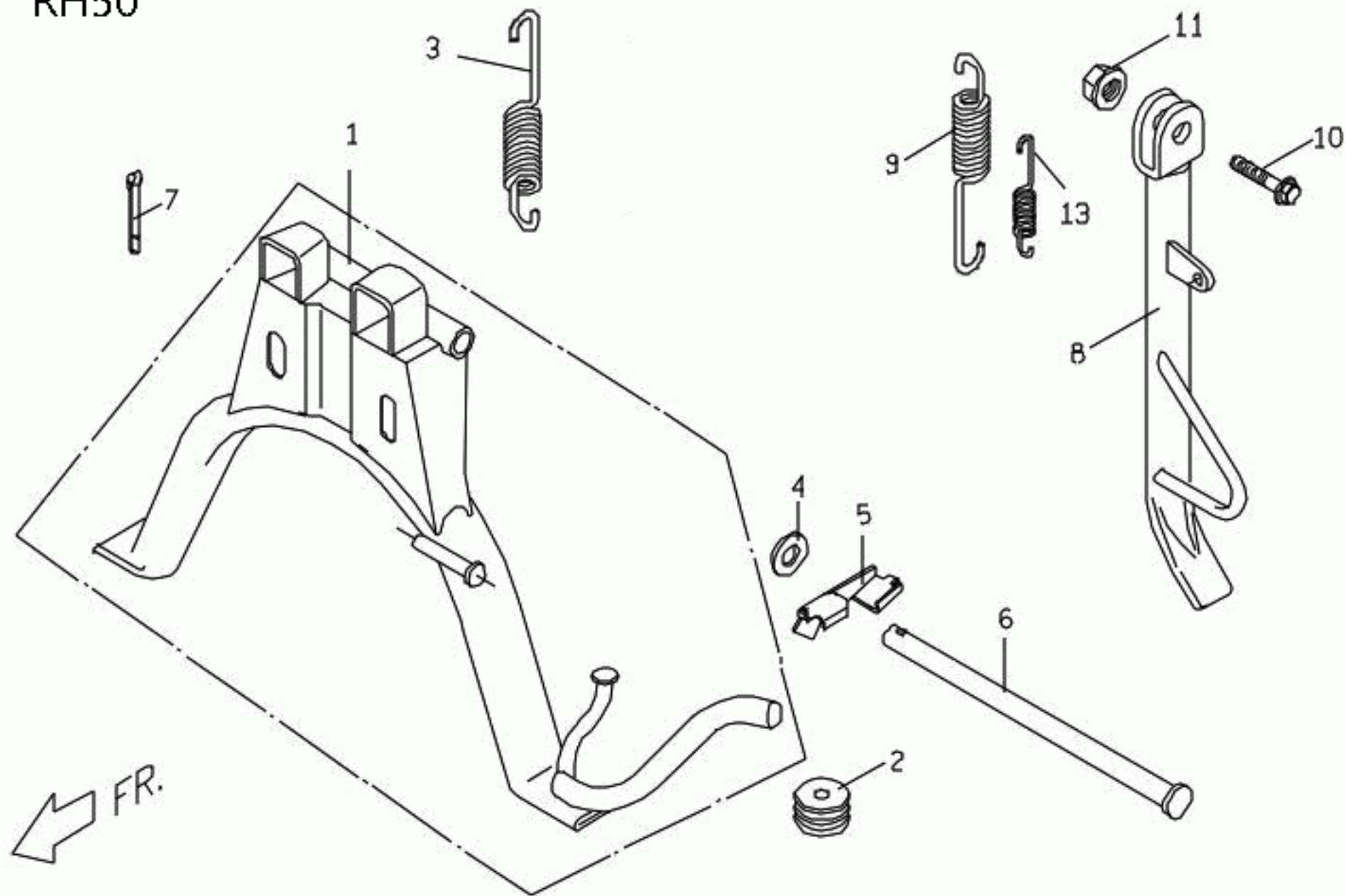
E12 Rear Wheel RH50



E12 REAR WHEEL

NO.	PART NUMBER	QTY	PART NAME
1	P2634000650	1	FENDER,RR
2	90180602002	2	HEXAGON FLANGE BOLT (M6*20L)
4	P1407104770	1	WHEEL COMP,RR DOT LETTER
5	P140B330000	1	VALVE
6	92011600000	1	U TYPE SPRING NUT
7	92141700001	1	WASHER
8	E1407010000	1	DUSTPROOF RING
9	E14074000002	1	SHOE COMP,RR BRAKE
11	E1407410000	2	BRAKE SHOE SPRING
12	E1407440000	1	BRAKE CAM, RR
13	95511000002	1	O-RING
14	E1407450000	1	INDICATOR,RR BRAKE
15	P1407471000	1	ARM,RR ARM
16	90020602203	1	HEXAGON BOLT
17	P0544401000H	1	WIRE ASSY, RR BRAKE
18	E1544440000	1	PIN
19	E1544410000	1	CABLE ADJUSTABLE NUT (M5*1.0)
21	C154D110000	1	SPRING

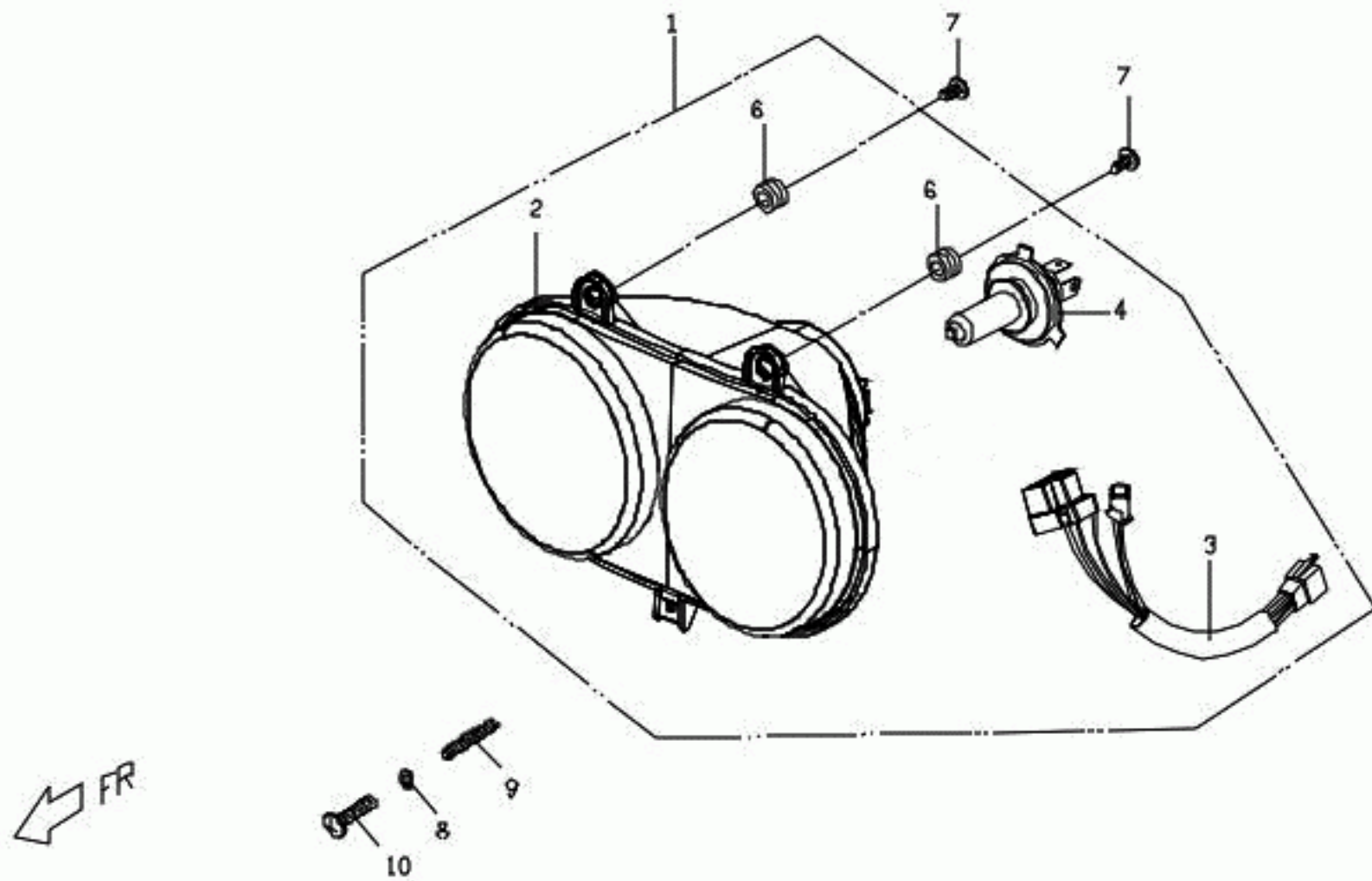
E13 Center Stand, Side Stand RH50



E13 CENTER STAND / SIDE STAND

NO.	PART NUMBER	QTY	PART NAME
1	P2461002600	1	CENTER STAND COMP
2	P146A011000	1	CUSHION RUBBER
3	P1461120000	1	CENTER STAND SPRING
4	P1701070000	2	RUBBER WASHER
5	P1407482000	1	WIRE HOLDER,RR BRAKE
6	E1461110000	1	PIN,STAND
7	93561010000	1	SPLIT PIN
8	P1462001600	1	SIDE STAND ASSY(E.D)
9	E1461121000	1	SPRING
10	90191002800	1	HEXAGON FLANGE BOLT
11	92061000000	1	HEXAGON FLANGE NUT

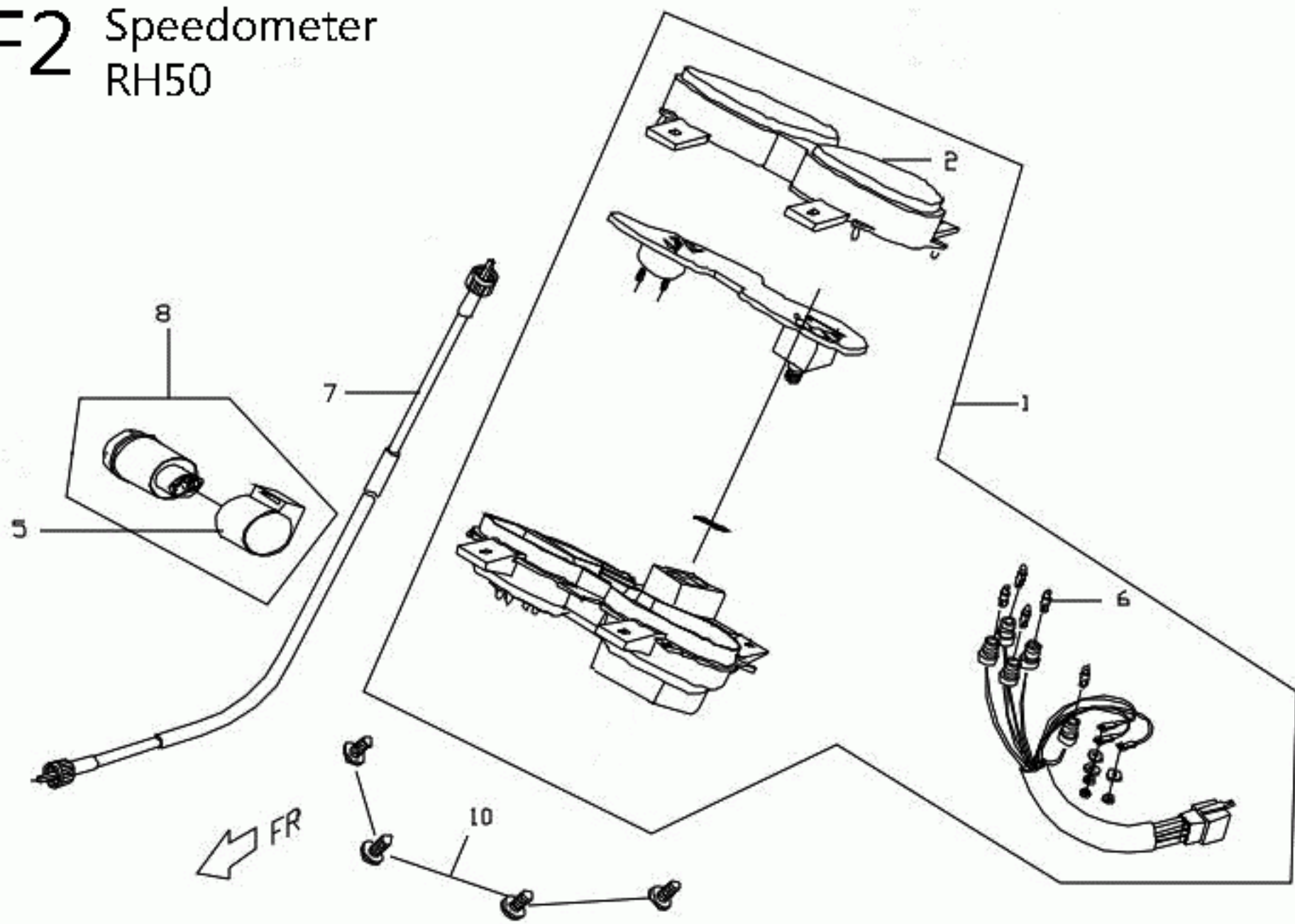
F1 Head Light RH50



F1 HEAD LIGHT ASSY

NO.	PART NUMBER	QTY	PART NAME
1	P06610000000	1	COVER,HEAD LIGHT
4	98151235351	1	HEADLAMP, HALOGEN (12V 35/35W)
6	P166A030000	2	RUBBER BUSHING
7	90130501401	2	C-R RECESS PAN HD. TAPPING
8	92140600018	1	WASHER
9	P17065300001	1	COMPRESSION SPRING
10	90050407000	1	ADJUSTING BOLT

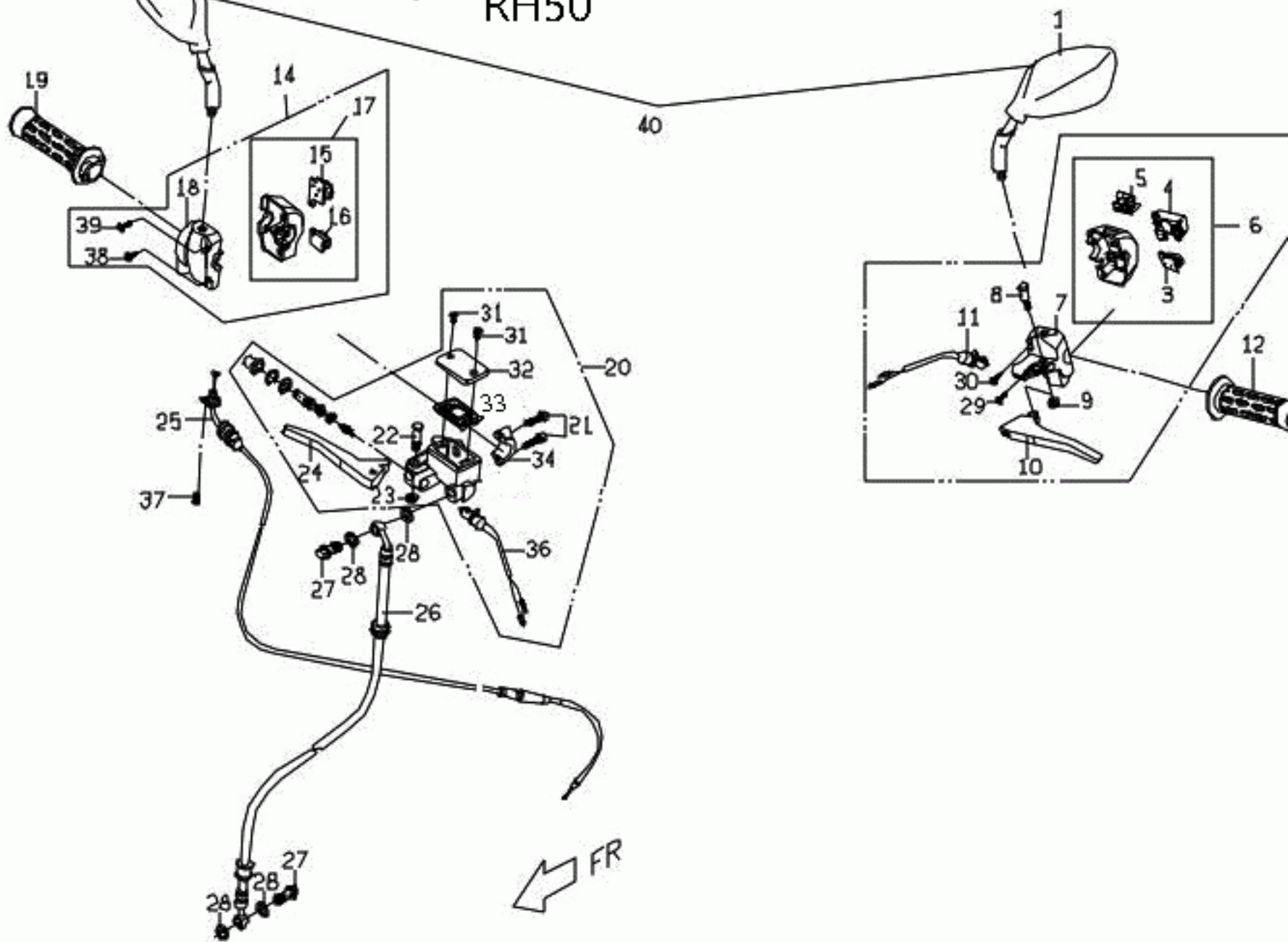
F2 Speedometer RH50



F2 SPEEDOMETER

NO.	PART NUMBER	QTY	PART NAME
1	P25610000006	1	SPEEDMETER ASSY, 2008 ROUHOUSE
2	P256A010000	1	UPPER COVER
5	P2701010000	1	RUBBER BRACKET
6	E1561030000	5	BULB
7	P1544005000	1	SPEEDOMETER CABLE
8	C15860000000	1	FLASHER RELAY ASSY
10	90110401600	4	CR PAN HD TAPPING SC

F3 Cable, Switch, Back Mirror RH50

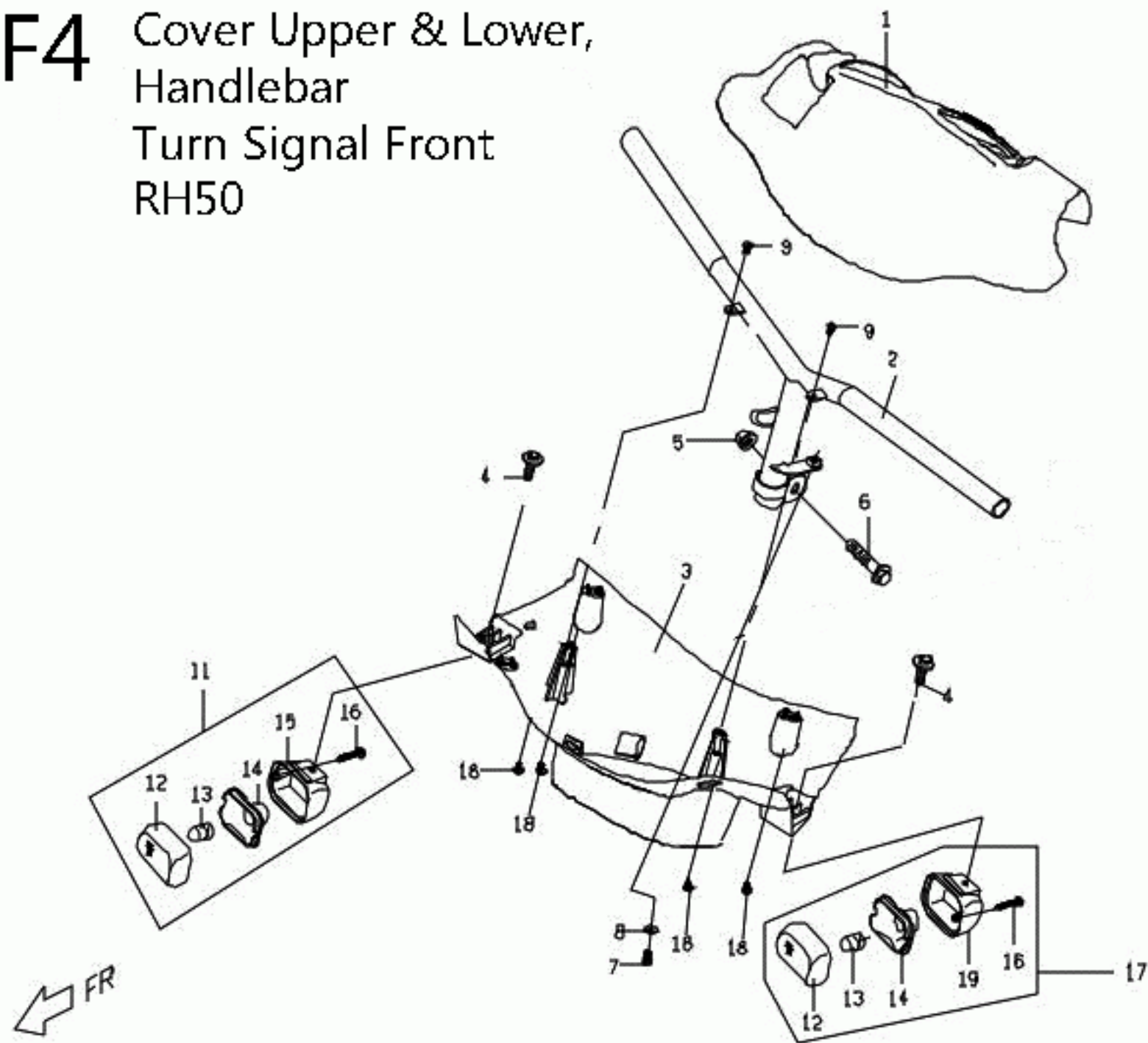


F3 CABLE / SWITCH/ BACK MIRROR

NO.	PART NUMBER	QTY	PART NAME	NO.	PART NUMBER	QTY	PART NAME
1	P261F010000	1	LH RR MIRROR ASSY	23	P140C230000	1	FLANGE NUT
2	P2546003000	1	HEADLE BAR SWITCH ASSY,LH	24	P2543600000	1	LEVER,RH
6	P154F410000	1	CASE, SWITCH UNDER 2	25	P1544603000	1	CABLE ASSY,THROTTLE
7	P154F020000	1	CASE,SWITCH UNDER 1	26	P1403603000	1	OIL HOSE,BRAKE
8	P154F030000	1	BOLT	27	P14038110000	2	JOINT BOLT,BRAKE HOSE
9	P154F040000	1	LOCK NUT	28	92141000018	4	PLAIN WASHER
10	P2543300000	1	LEVER,LH BRAKE	29	P154F390000	1	SCREW,PAN HEAD
11	C2548220000	1	RR BRK SWITCH COMP	30	P154F400000	1	SCREW,PAN HEAD
12	P05410010000	1	GRIP ASSY,LH	31	P140C130000	2	SCREW
13	P261F020000	1	RR MIRROR ASSY, RH	32	P140C120000	1	CAP,RESERVOIR
14	P25480000001	1	SWITCH ASSY.RH HANDLEBAR	33	P140C110000	1	DIAPHRAGM,RESERVOIR
14	P65480000000	1	HANDLE SWITCH ASSY,RH	34	P140C240000	1	BRACKET,MASTER CYLINDER
17	P254H0100001	1	CASE,SWITCH UNDER 2,COMP	36	M25480300000	1	STOP LIGHT SWITCH
18	P154H020000	1	CASE,SWITCH UNDER 1	37	90050501200	1	CR ROUND HD MACHINE SCREW (M5*
19	P05420010000	1	GRIP ASSY,RH	38	P154H180000	1	C-R ROUND HD SCREW
20	P2403001000N	1	FRT BRAKE MASTER CYLINDER	39	P154H170000	1	C-R ROUND HD SCREW
21	P140C250000	2	INNER BOLT	40	P2616000000	1	MIRROR ASSY,RR
22	P140C220000	1	BOLT				

F4

Cover Upper & Lower,
Handlebar
Turn Signal Front
RH50

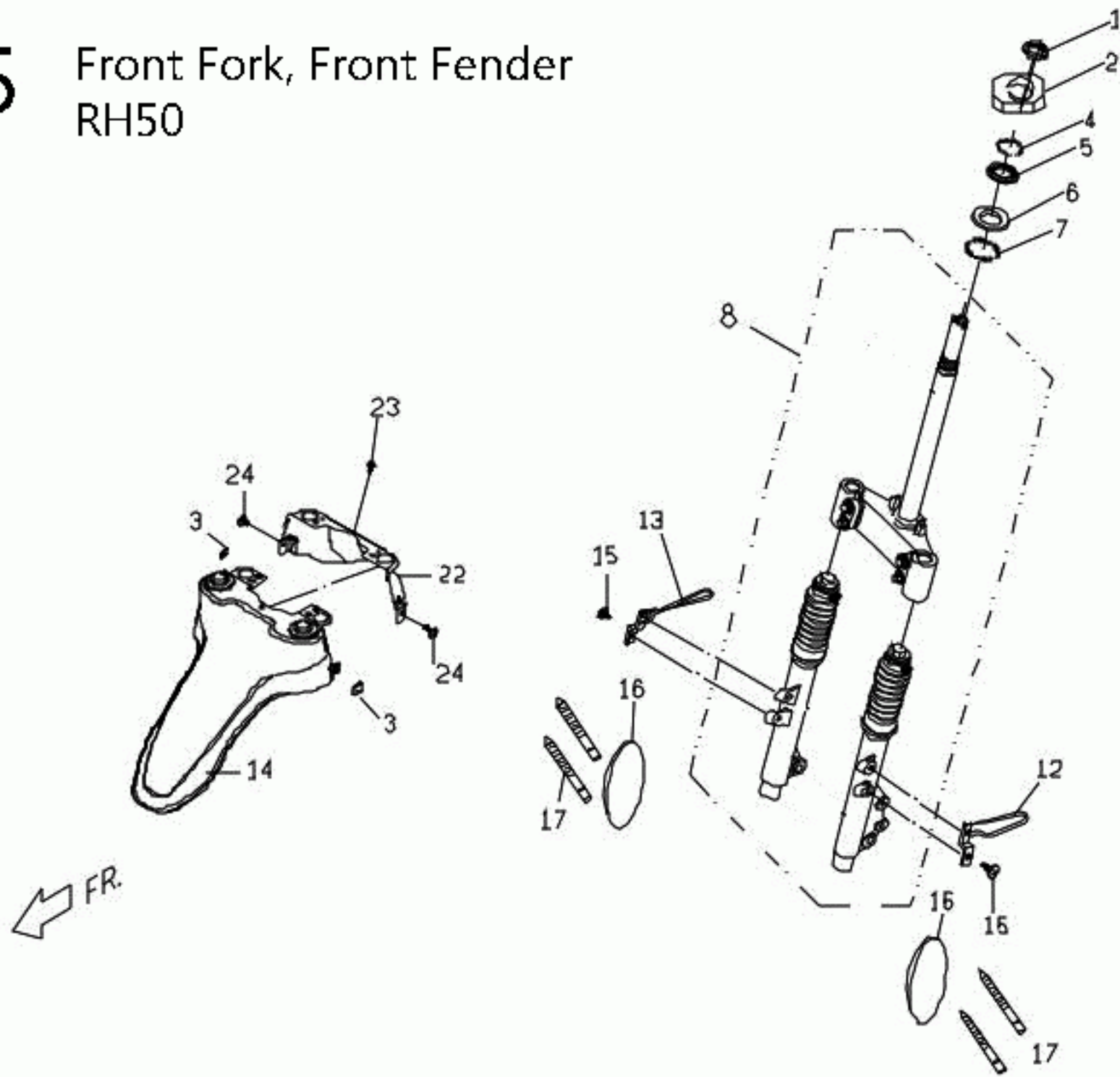


F4 COVER UPPER & LOWER / HANDLEBAR / TURN SIGNAL FRONT

NO.	PART NUMBER	QTY	PART NAME
1	See Page 1	1	UPPER COVER,HANDLEBAR
2	P26120016000	1	HANDLEBAR ASSY
3	See Page 1	1	LOWER COVER,HANDLEBAR
4	90190501201	2	HEXAGON FLANGE BOLT (M5*12L)
5	92061000005	1	HEXAGON FLANGE NUT
6	90191004600	1	HEXAGON FLANGE BOLT(M10*46L)
7	90040501600	1	CR PAN HD MACHINE SCREW
8	92140500014	1	PLAIN WASHER
9	90130501401	2	C-R RECESS PAN HD. TAPPING
11	C166D0110003	1	FR SIGNAL LAMP, RH
12	C166G0200005	2	LENS
13	98211221001	2	BULB
16	C166G0500005	2	SCREW
17	C166C0110003	1	FR SIGNAL LAMP, LH
18	90110401200	4	CR PAN HD TAPPING SC
20	P170F6400000	1	FIXED PLATE, FR TURN SIGNAL (RH)
21	P17066400000	1	FIXED PLATE, FR TURN SIGNAL (LH)
22	90190501201	4	HEXAGON FLANGE BOLT (M5*12L)

F5

Front Fork, Front Fender RH50

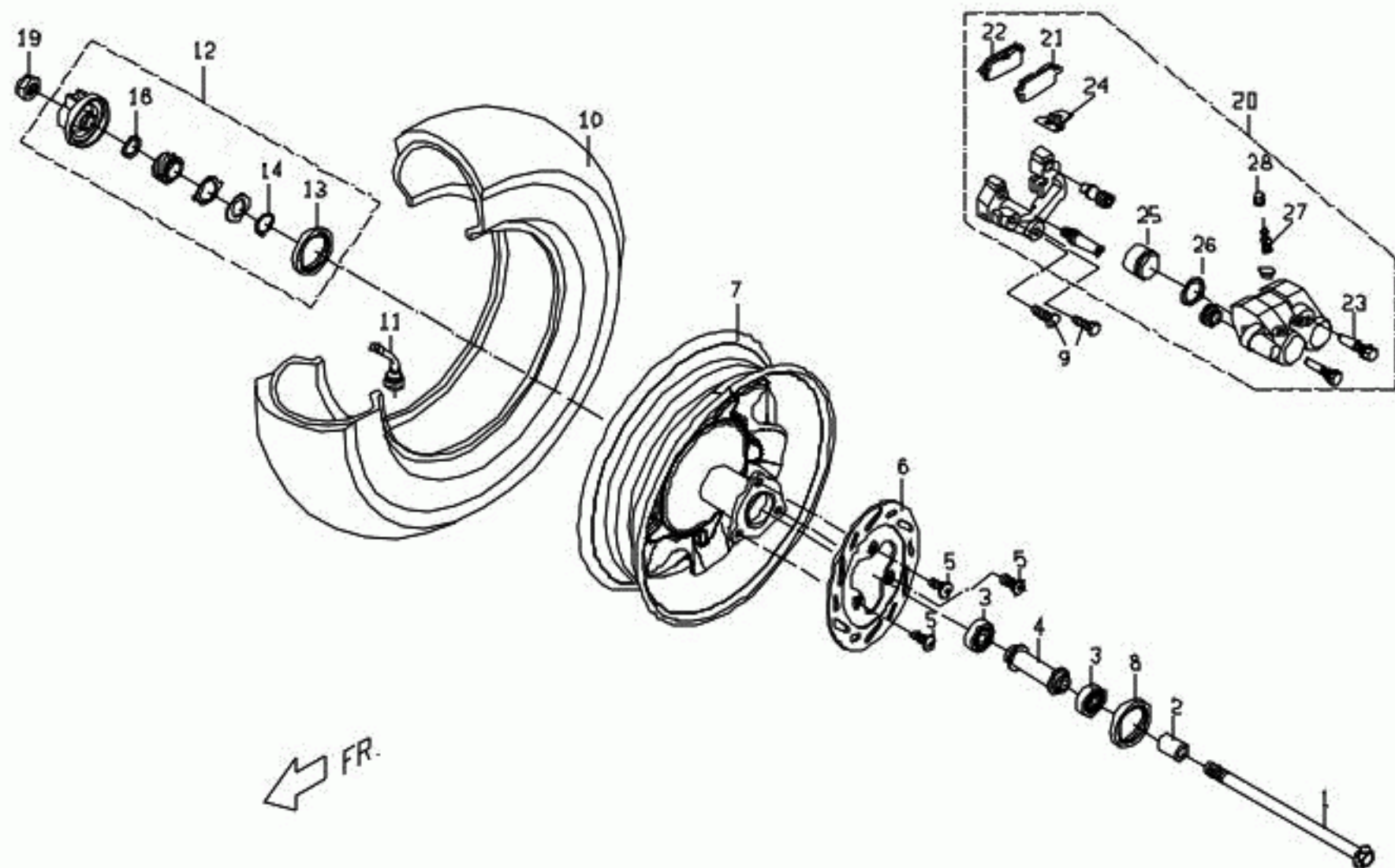


F5 FRONT FORK / FRONT FENDER

NO.	PART NUMBER	QTY	PART NAME
1	P1443040000	1	STEERING SHAFT LOCK NUT
2	P6444051000	1	UPPER RING NUT
3	92370500003	4	U TYPE SPRING NUT
4	99010500000	22	STEEL BALLS (3/16")
5	P1443020000	1	UPPER BEARING CAGE
6	C1443011000	1	LOWER BEARING CAGE
6	P1443020000	1	UPPER BEARING CAGE
7	99010500000	22	STEEL BALLS (3/16")
8	P1443002770	1	FRONT FORK ASSY silver
8	P14430026D02	1	FRONT FORK ASSY black
12	P2403611000	1	HOSE CLIP,BRAKE
13	E9544021000	1	CABLE CLIP
14	See Page 1	1	FENDER,FR(FR SECTION) BLACK
15	90050601002	2	CR ROUND HD MACHINE SCREW(M6*10L)
16	P26690000001	2	REFLECTOR,FR
17	P1701030000	4	CABLE TIE
22	See Page 1	1	FENDER,RR(RR SECTION)
23	90190601207	1	HEXAGON FLANGE BOLT(M6*1.0P*12L)
24	90150501600	2	CR TRUSS HD TAPPING SCREW (M5*16L)
24	90150501602	2	C-R RECESS PAN HD. TAPPING, M5X16L

F6 Front Wheel, Front Caliper, Disk

RH50

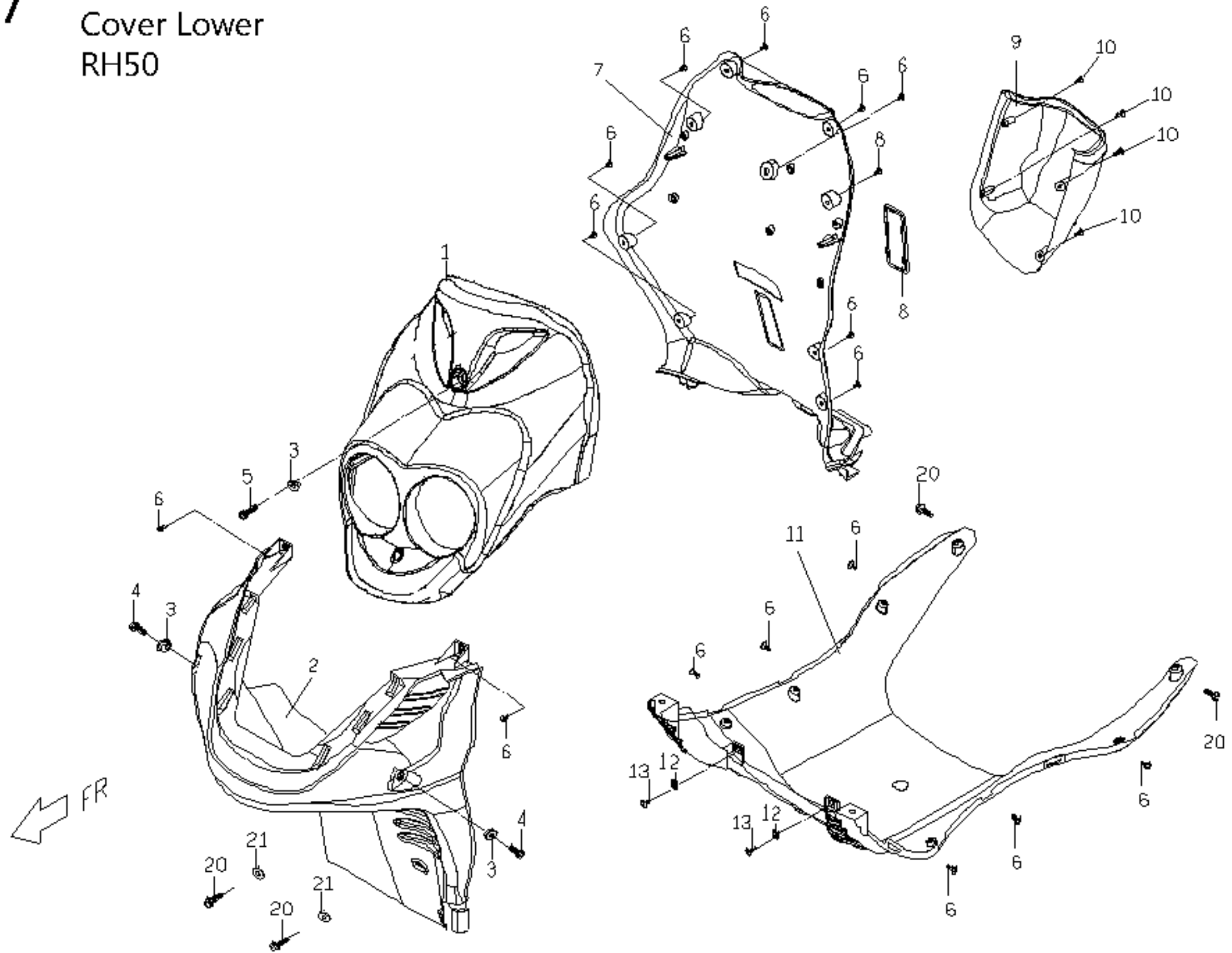


F6 FRONT WHEEL / FRONT CALIPER / DISK

NO.	PART NUMBER	QTY	PART NAME
1	P1402500000	1	AXLE FR WHEEL
2	P1401010000	1	SPACER
3	96520620100	2	ONE SHIELD BALL BEARING
4	P1402400000	1	SPACER COMP
5	E1403512000	3	SCREW, FR BRAKE DISK
6	P1403500000	1	DISC BRAKE
7	P1401104770	1	WHEEL COMP,FR DOT LETTER, SILVER
7	P14011046D0	1	WHEEL COMP,FR DOT LETTER, BLACK
8	92400800000	3	HEXAGON NUT
9	90190803002	2	HEXAGON FLANGE BOLT(
11	P140B330000	1	VALVE
12	P15660050000	1	METER GEAR ASSY
13	95572235700	1	OIL SEAL, TC TYPE
14	92171800000	1	C CLIP
18	92141900002	1	PLAIN WASHER
19	92061200001	1	LOCK NUT
20	P1403302000	1	CALIPER ASSY,DISC
21	P140C432000	2	PAD
22	P140C410000	1	YOKE B
23	P140C390000	1	YOKE REED

F7

Front Shield Bracket, Fender Cover Lower RH50

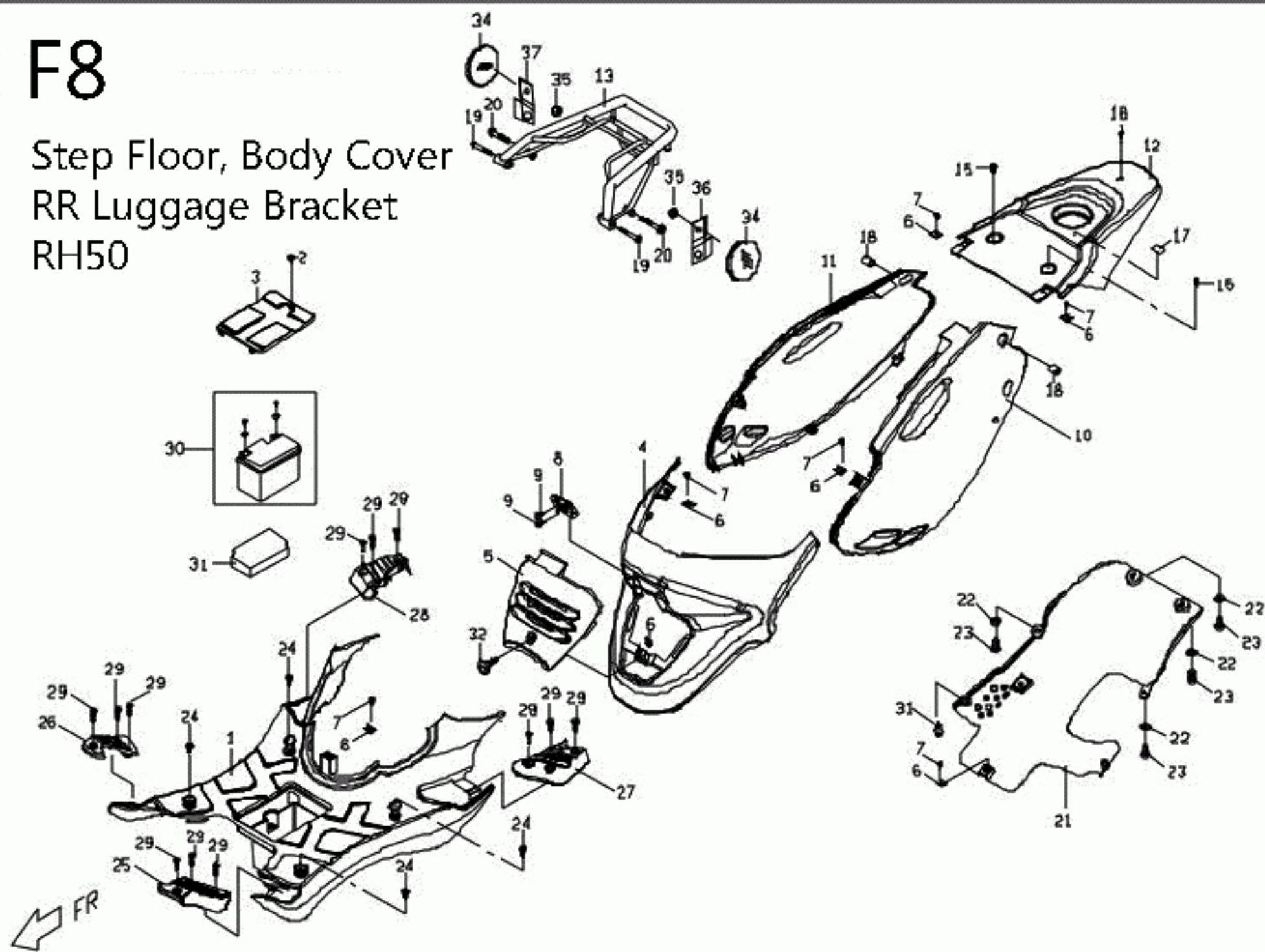


F7 FRONT SHIELD BRACKET / FENDER COVER LOWER

NO.	PART NUMBER	QTY	PART NAME
1	See Page 1	1	WINDSHIELD
2	See Page 1	1	LOWER COVER,FR
3	P1706510000	3	BUSH
4	P16210110001	2	RND MACHINE SCREW/ WASHER(M6*1*30)
5	P16210110001	1	RND MACHINE SCREW/ WASHER(M6*1*30)
6	90130501401	16	C-R RECESS PAN HD. TAPPING
7	See Page 1	1	INNER COVER,FRONT, WITH CHARGING
8	See Page 1	1	FRAME NUMBER COVER, BLACK
9	See Page 1	1	LUGGAGE CASE,FR
10	90110401600	4	CR PAN HD TAPPING SC
11	See Page 1	1	STER FLOOR COVER LOWER
12	92370500003	2	U TYPE SPRING NUT
13	90150501600	2	CR TRUSS HD TAPPING SCREW (M5*16L)
13	90150501602	2	C-R RECESS PAN HD. TAPPING
16	90190601207	2	HEXAGON FLANGE BOLT(M6*1.0P*12L)
17	92140600018	2	WASHER
20	90190601001	2	HEXAGEON FLANGE BOLT(M6*10L)

F8

Step Floor, Body Cover
RR Luggage Bracket
RH50

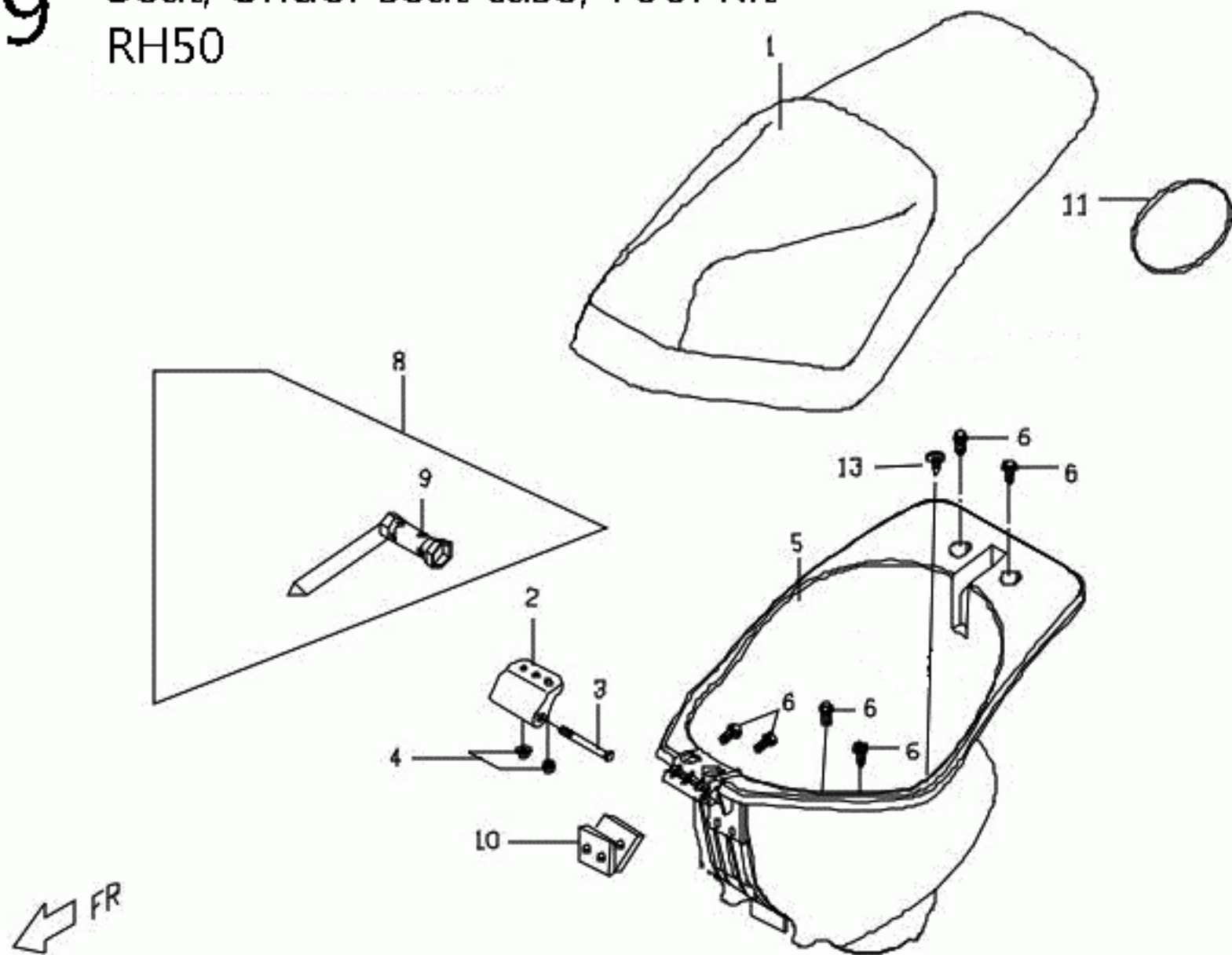


F8 STEP FLOOR / BODY COVER / RR LUGGAGE BRACKET

NO.	PART NUMBER	QTY	PART NAME	NO.	PART NUMBER	QTY	PART NAME
1	P2624000650	1	STEPFLOOR	23	90040601400	5	CR PAN HD MACHINE SCREW(M6*14L
2	90130501401	1	C-R RECESS PAN HD. TAPPING	23	90040601403	5	C-R PAN HD. MACHINE SCREW,M6*14L
3	P2624030650	1	BATTERY COVER	25	P2624011900	1	FR STEPFLOOR ,LH silver
4	P2625040650	1	CHEST COVER ,FR	25	P26240116D0	1	FR STEPFLOOR ,LH black
5	P2625010650	1	MIDDLE COVER	26	P262D011900	1	FR STEPFLOOR ,RH silver
6	92370500003	6	U TYPE SPRING NUT	26	P262D0116D0	1	FR STEPFLOOR ,RH black
7	90150501600	6	CR TRUSS HD TAPPING SCREW (M5*16L)	27	P2624020900	1	RR STEPFLOOR ,LH silver
7	90150501602	6	C-R RECESS PAN HD. TAPPING, M5X16L	27	P26240206D0	1	RR STEPFLOOR ,LH black
8	P2701210650	1	RACK HOOK	28	P262D020900	1	RR STEPFLOOR,RH silver
9	90040602003	2	CR PAN HD MACHINE SCREW	28	P262D0206D0	1	RR STEPFLOOR,RH black
10	See Page 1	1	BODY COVER,LH, GREEN	30	P5583000000	1	BATTERY(12V3.0AH)
11	See Page 1	1	BODY COVER,RH, GREEN	31	P15830100001	1	BATTERY BUSH
12	See Page 1	1	COVER,RR, GREEN	32	P2706020000	1	SPECIAL TAPPING SCREW
13	P26760126D00	1	LUGGAGE BRACKET,RR, ECR-C	34	C16690000001	2	SIDE REFLECTOR
15	90190601500	2	HEXAGON FLANGE BOLT (M6*15L)	35	92040600000	2	HEXAGON FLANGE NUT (M6*1.0P)
16	E1621010000	1	PAN HD. MACHINE SCREW , M6*1P*10L	36	P27060600000	1	REFLECTOR FIXED PLATE(LH)
18	P1421480000	2	BUSH	37	P270F0600000	1	REFLECTOR FIXED PLATE(RH)
19	90190605002	2	HEXAGON FLANGE BOLT				
20	90190805001	2	HEXAGON FLANGE BOLT (M8*50L)				
21	See Page 1	1	BODY COVER,LOWER				
22	92140600018	4	WASHER				

F9

Seat, Under seat case, Tool Kit RH50

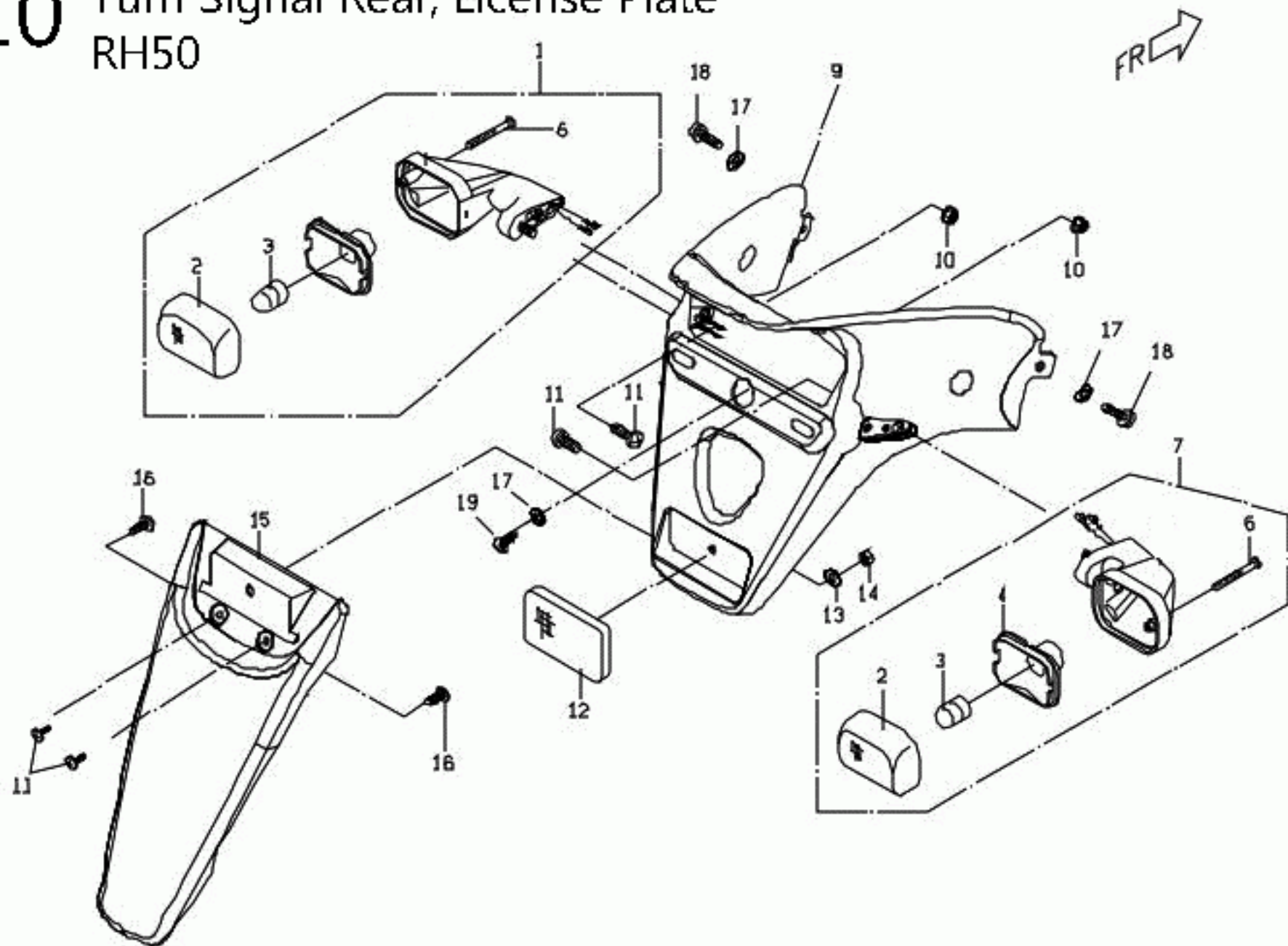


F9 SEAT / UNDER SEAT CASE / TOOL KIT

NO.	PART NUMBER	QTY	PART NAME
1	P2671000000B	1	SEAT COMP
2	P1681061000	1	BRACKET
3	P1681071000	1	SPECIAL BOLT
4	92040600000	2	HEXAGON FLANGE NUT (M6*1.0P)
5	P2681002000	1	RACK ASSY
6	90190601600	6	HEXAGON FLANGE BLOT
8	E9706421000	1	DISCOMPOSE KIT COMP
10	P2706010000	1	RACK HOOK HOLDER
11	P6701030000	1	TOOL SET CLIP
13	90130501401	1	C-R RECESS PAN HD. TAPPING

F10 Turn Signal Rear, License Plate

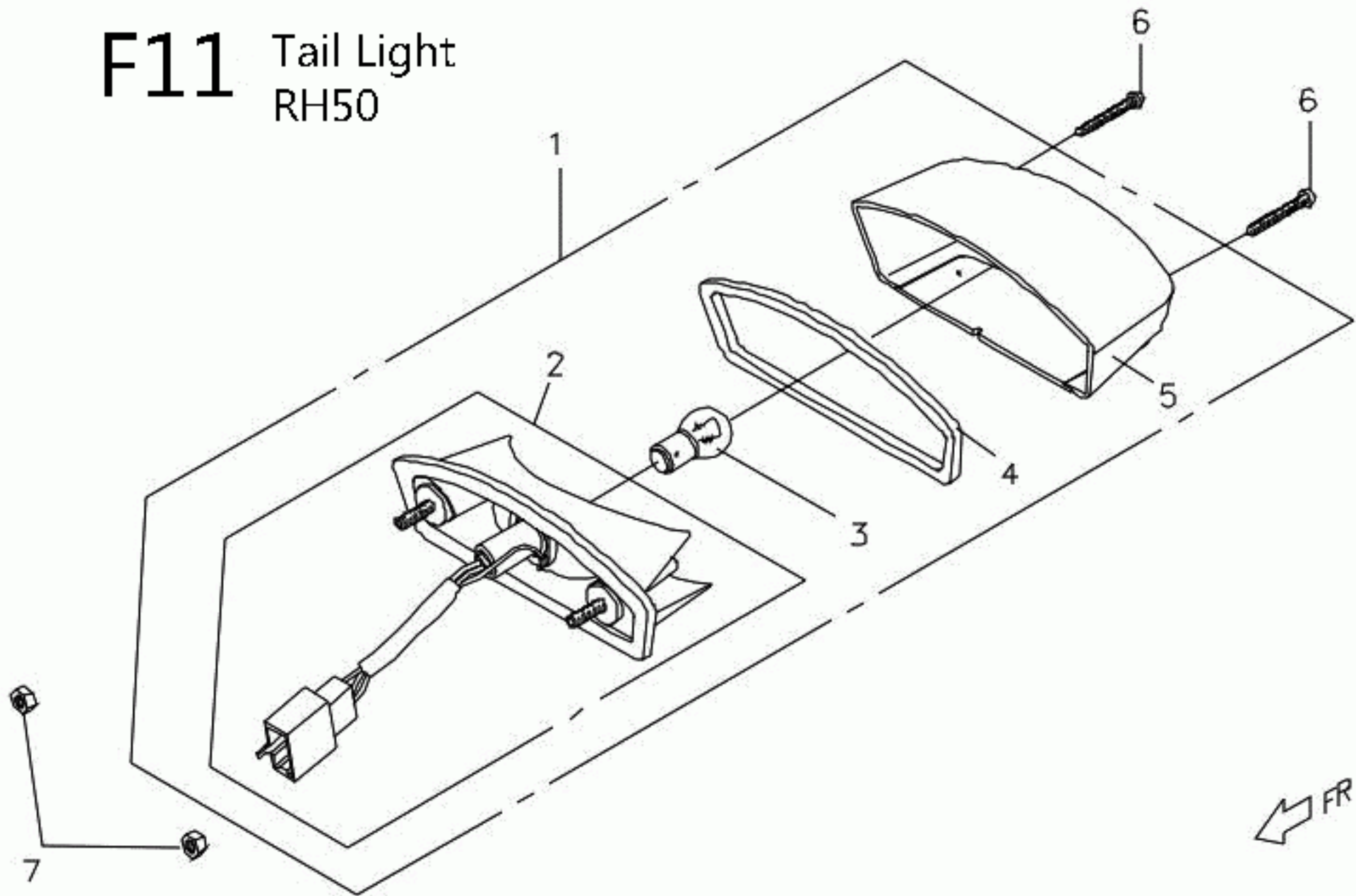
RH50



F10 TURN SIGNAL REAR / LICENSE PLATE

NO.	PART NUMBER	QTY	PART NAME
1	C166G0100005	1	REAR TURN SIGNAL ASSY ,LH
2	C166G0200005	2	LENS
3	98211221001	2	BULB
6	C166G0500005	2	SCREW
7	C166H0100005	1	REAR TURN SIGNAL ASSY ,RH
9	See Page 1	1	LICENSE PLATE, RR
10	92040600000	2	HEXAGON FLANGE NUT (M6*1.0P)
11	90110401200	4	CR PAN HD TAPPING SC
12	C5669000000	1	REFLECTOR DOT
13	92140500014	1	PLAIN WASHER
14	92020500000	1	HEXAGON NUT (M5*0.8P)
15	See Page 1	1	LOWER FENDER
16	90110401200	2	CR PAN HD TAPPING SC
17	92140600018	3	WASHER
18	90050601002	2	CR ROUND HD MACHINE SCREW(M6*10L)
19	90040601400	1	CR PAN HD MACHINE SCREW(M6*14L)
19	90040601403	1	C-R PAN HD. MACHINE SCREW
20	P17066516000	1	FIXED PLATE, RR TURN SIGNAL
21	P5708010000	2	BLIND RIVET

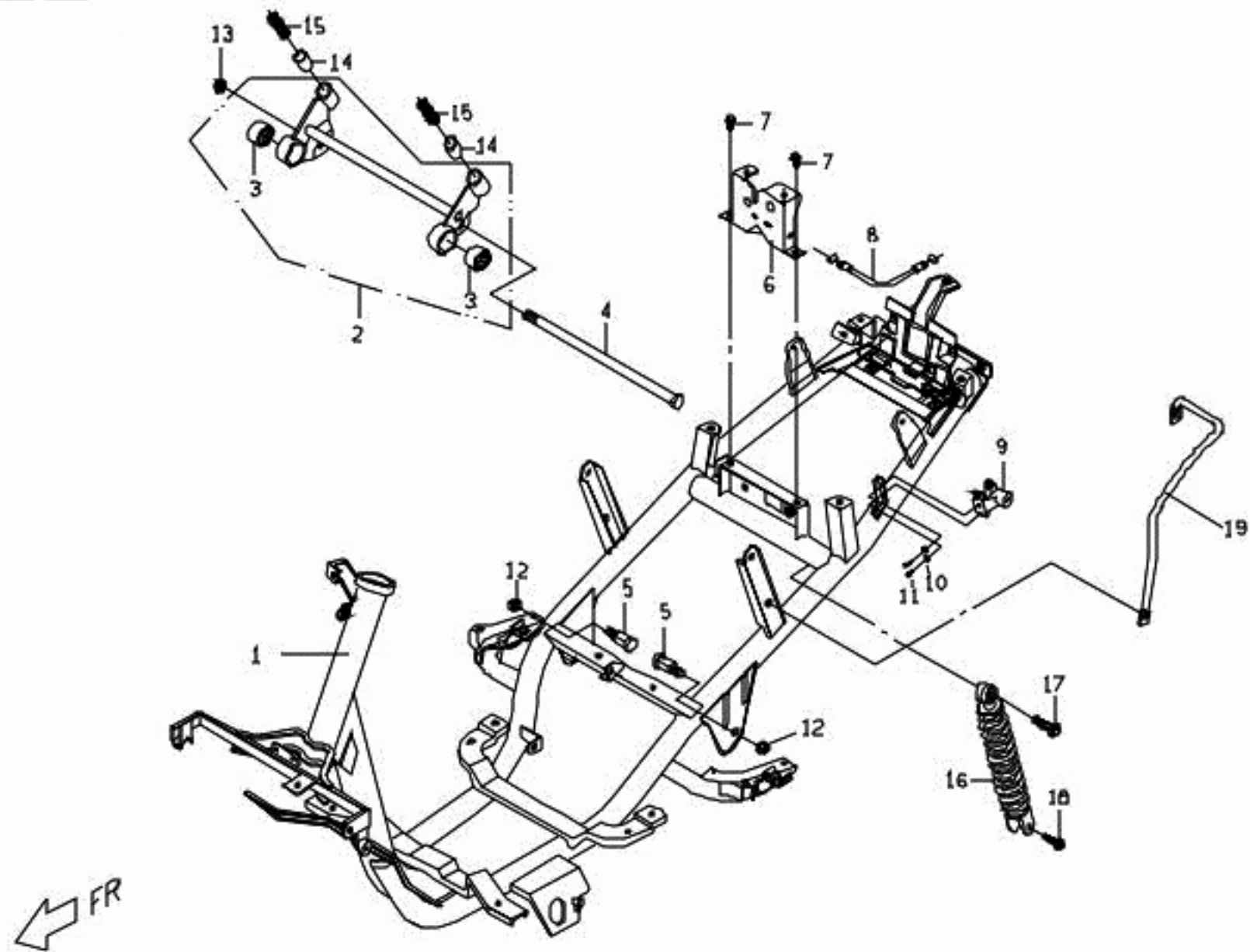
F11 Tail Light RH50



F11 TAIL LIGHT

NO.	PART NUMBER	QTY	PART NAME
1	P26660000002	1	LAMP ASSY,RR
2	P266F090000	1	LAMP COMP.
3	98311221051	1	BRAKING BULB 21W/5W
4	P266F070000	1	PACKING
5	P266F030000	1	LENS
6	P266F050000	2	C-R PAN.HD TAPPING SCREW
7	92040600000	2	HEXAGON FLANGE NUT (M6*1.0P)

F12 Frame RH50

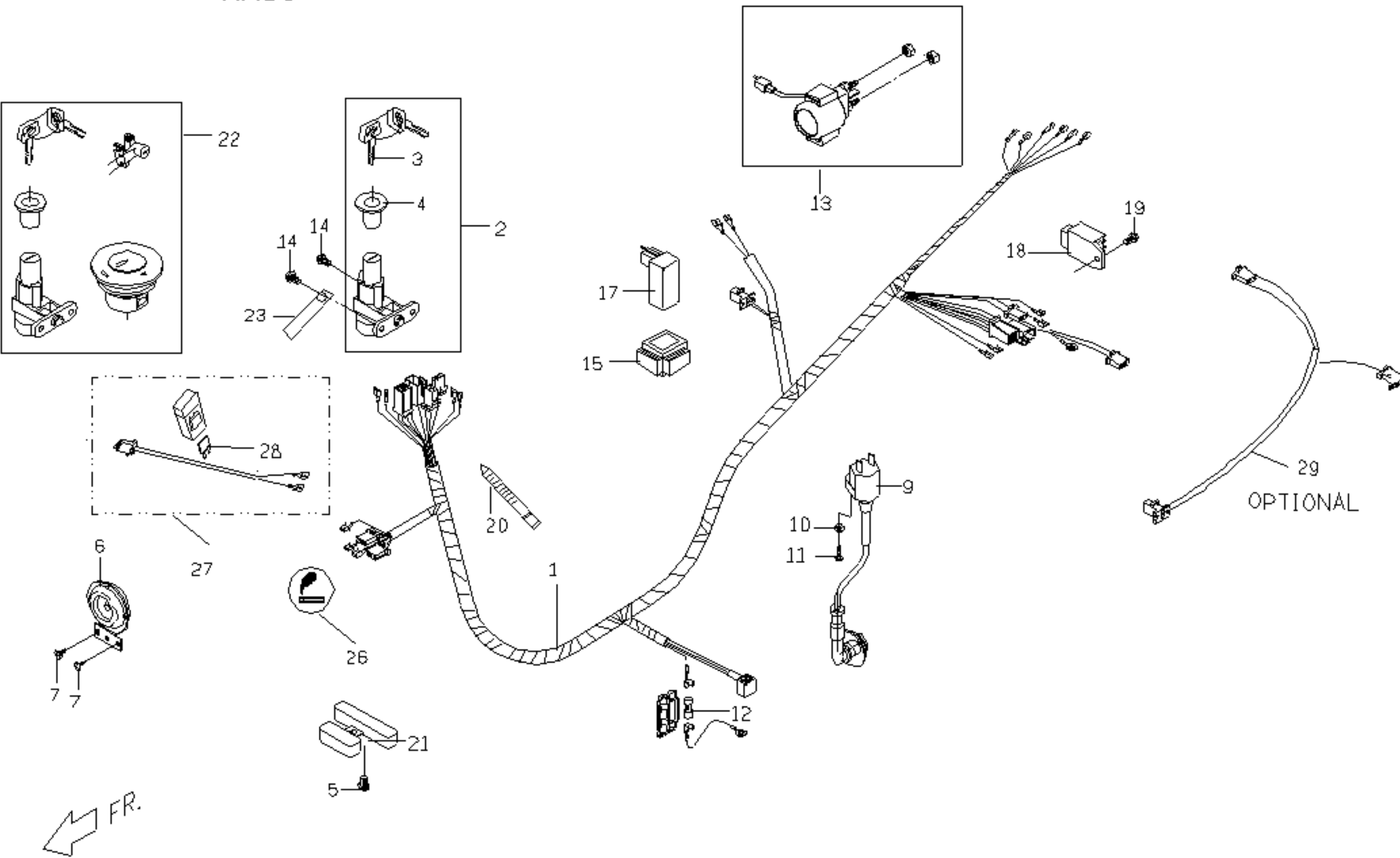


F12 FRAME

NO.	PART NUMBER	QTY	PART NAME
1	P2421006600	1	FRAME ASSY.
2	P2486002000	1	ENGINE HANGER JOINT COMP
3	E1486011000	2	SPEC DAMPING BUSH
4	90021228000	1	HEXAGON BOLT
5	P1486010000	2	BOLT
6	P167A300000	1	SEAT LOCK SOCKET COMP
7	90190601600	2	HEXAGON FLANGE BLOT
8	P2671120000	1	SEAT LOCK ROD
9	P1558000000	1	SEAT LOCK
10	92110500000	2	SPRING LOCK WASHER
11	90020501000	2	HEXAGON BOLT
12	92061000005	2	HEXAGON FLANGE NUT
13	92061200001	1	LOCK NUT
14	E1486040000	2	COVER, CUSHION RUBBER
15	E1486050000	2	COMPRESSION SPRING
16	P2481001600	1	CUSHION ASSY, RR
17	90191004000	1	HEXAGON FLANGE BOLT (M10*40)
18	90190803201	1	HEXAGON FLANGE BOLT
19	P2421300000	1	HANDRAIL BRACKET

F13

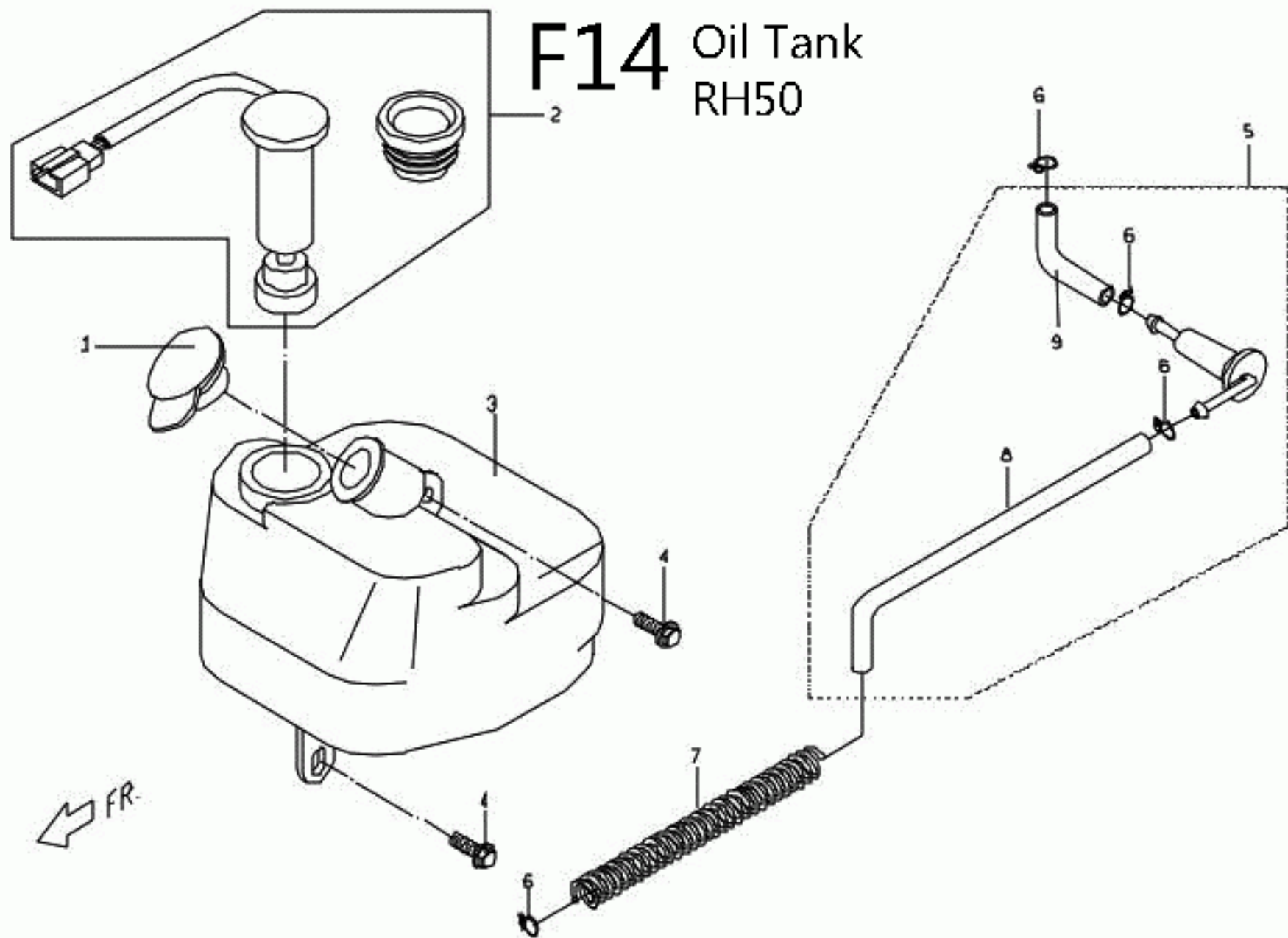
Wire Harness RH50



F13 WIRE HARNESS / IGNITION SWITCH

NO.	PART NUMBER	QTY	PART NAME	NO.	PART NUMBER	QTY	PART NAME
1	P25816010003	1	WIRE HARNESS	15	P1701190000	1	RUBBER BRACKET
2	P1552003000	1	IGNITION SWITCH COMP.	17	E9582000000	1	CDI UNIT
3	P155B010000	2	KEY	18	C1584000000	1	REGULATOR COMP
4	P155B020000	1	COVER,INDICATING	19	90190601600	3	HEXAGON FLANGE BLOT
5	90190601001	1	HEXAGEON FLANGE BOLT(M6*10L)	20	E1701031000	1	CLIP
6	P5583600000	1	HORN	21	P15866000002	1	RESISTOR B
7	E1706190000	2	WASHED SCREW	22	P25510040001	1	KEYLOCK SET 11/2012 AND OLDER
8	P15866000001	1	RESISTOR	22	P25510010004	1	KEYLOCK SET 12/2012 AND NEWER
9	C15846010001	1	COIL COMP IGNITION	23	92240007800	1	WIRE CLIP
10	92110500000	1	SPRING LOCK WASHER	24	P2581660000	1	HEAD LIGHT ADAPTOR
11	90040601000	1	CR TRUSS HD MACHINE SCREW(M6*10L)	26	B5583040000	1	CHARGING PORT
12	E1581630000	1	FUSE 8 AMP	27	P25816300000	1	CONNECTING WIRE,SOCKET
13	P9581000000	1	STARTER RELAY	28	98701201000	1	FUSE
14	90190601207	2	HEXAGON FLANGE BOLT(M6*1.0P*12L)				

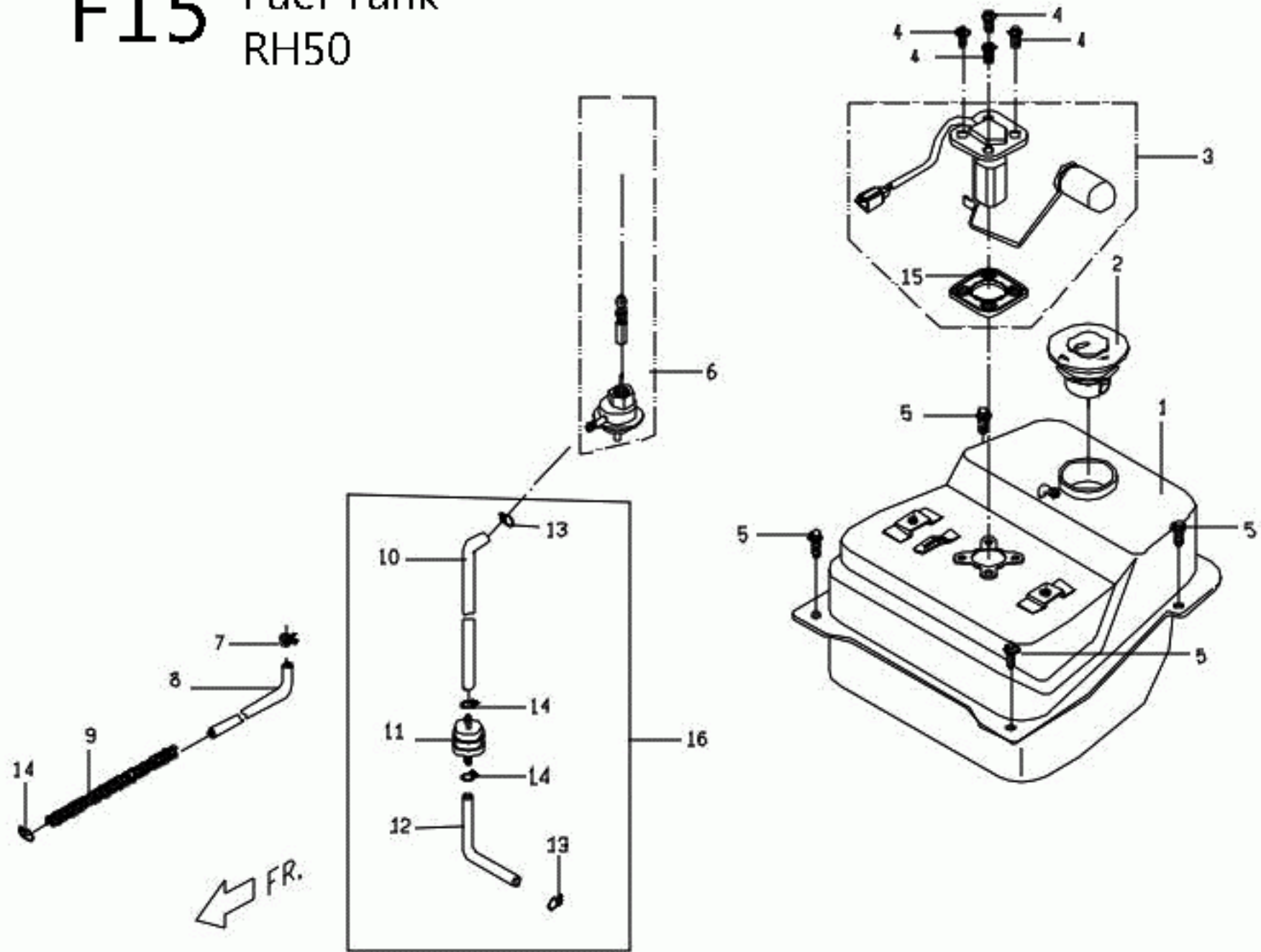
F14 Oil Tank RH50



F14 OIL TANK

NO.	PART NUMBER	QTY	PART NAME
1	P1522300000	1	OIL COVER
2	P2522700000	1	OIL GAUGE COMP
3	P2522503000	1	OIL TANK
4	90190601207	2	HEXAGON FLANGE BOLT(M6*1.0P*12L)
5	P1522202000	1	OIL CLEAN ASSY
6	E1706020000	4	HOSE CLAMP
7	P1706611000	1	COMPRESSION SPRING
8	P152F020000	1	OIL HOSE
9	P152F010000	1	OIL HOSE

F15 Fuel Tank RH50



F15 FUEL TANK

NO.	PART NUMBER	QTY	PART NAME
1	P15210006001	1	FUEL TANK COMP.
2	P25213010001	1	FUEL TANK COVER
3	P25217010000	1	FUEL GAUGE COMP
4	90180501600	4	HEXAGON FLANGE BOLT
4	90200501400	4	BOLT WITH WASHER(M5*0.8P*14L)
5	90190601207	4	HEXAGON FLANGE BOLT(M6*1.0P*12L)
6	P6523000000	1	AUTO COCK ASSY
7	KP706370000	1	CLAMP
8	P1526013000	1	VACUUM PIPE
9	P1706611000	1	COMPRESSION SPRING
10	P152A0300001	1	FUEL HOSE
11	P652A0100001	1	BODY,AIR CLEANER
12	P252A020000	1	FUEL HOSE
13	92220800001	2	BOARD CLAMP
14	92220900001	3	HOSE CLAMP
15	P252A7100000	1	GASKET,FUEL TANK
16	P652A0100001	1	FUEL FILTER

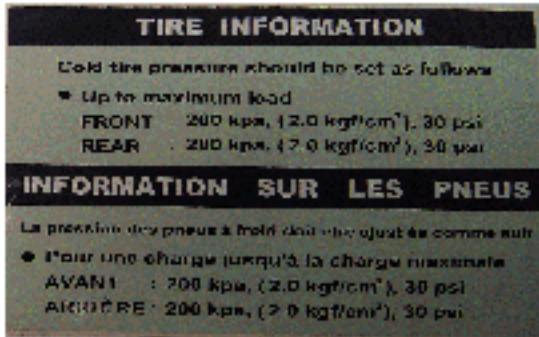
F16 EMBLEMS, LABELS, STICKERS



1



6



2



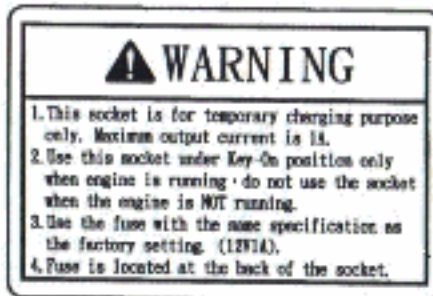
7



3



8



4



9



5



10



11

F16 EMBLEMS / LABELS / STICKERS

NO.	PART NUMBER	QTY	PART NAME
1	P66014000000	1	GENUINE LOGO STICKER
2	C1603070000	1	TIRE INFORMATION PAPER
3	P26015800000	1	GENUINE LOGO STICKER
4	P26031100000	1	WARNING LABEL,SOCKET
5	C16030010001	1	NOTICE ADHESIVE LABEL
6	P26017100000	2	ROUGH HOUSE 50 SIDE DECAL
7	P26017200000	1	ROUGH HOUSE 50 FRONT EMBLEM DECAL
8		2	ROUGH HOUSE 50 SIDE DECAL 2014 ->
9		1	ROUGH HOUSE 50 FRONT EMBLEM DECAL 2014 ->
10	P6601A900000	1	MADE IN TAIWAN STICKER
11	P1603040000	1	FUEL TYPE LABEL