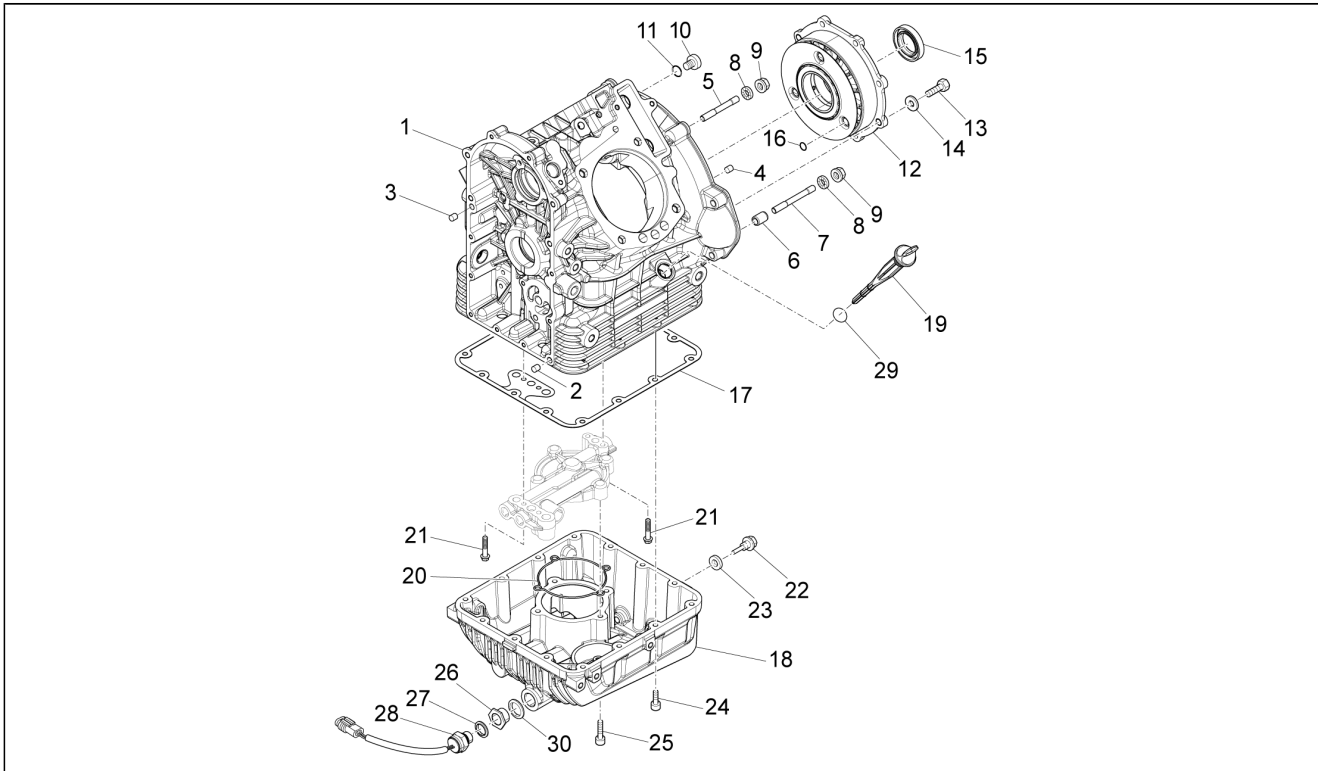


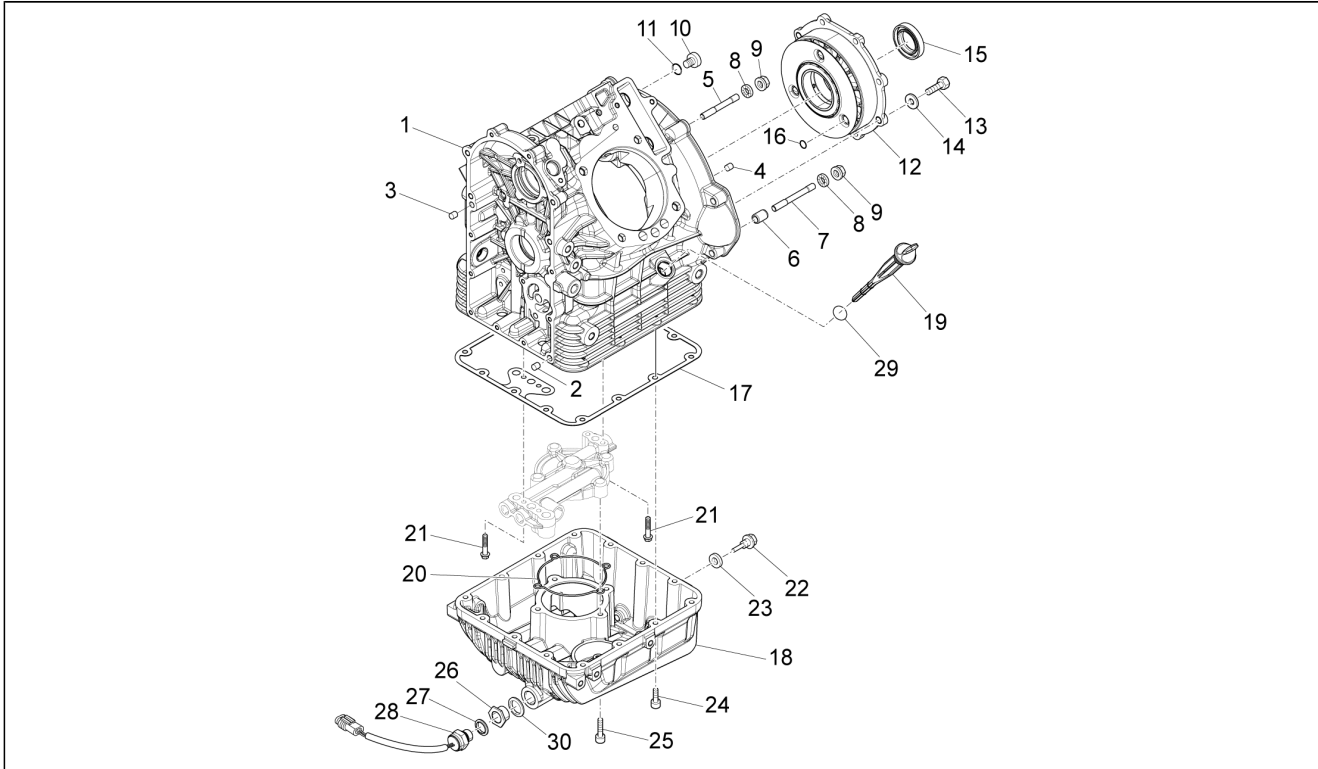
Assembly	Engine
Code	03.030
Description	Crankcases I
Review	1



FILTERS: none

Pos.	Code	Description	Q.ty	Variants
1	886908	Crankcase, grey	1	
10	GU12022600	Oil plug	2	
11	GU90706203	O-ring 20,24X2,62	2	
12	976703	Complete flange	1	
13	GU98084425	Hex screw M8x25	8	
14	GU61270300	Spring washer 8x15x0,3	8	
15	GU90405367	Gasket ring	1	
16	1A008362	Seal ring (o-ring)	1	
17	B063861	Sump gasket	1	
18	B063271	Motor oil cup	1	
19	B063898	Oil dipstick	1	
2	411209	Pin	2	
20	B063850	Gasket	1	
21	AP8152284	Screw w/ flange	4	
22	GU31003766	Oil unload plug M10x1	1	
23	GU01528930	Gasket 10x18x1,5	1	
24	GU98682330	Hex socket screw M6x20	14	
25	AP8150285	Hex socket screw M6x35	4	
26	B063846	Joint	1	
27	GU01154230	Gasket	1	
28	B063461	Thermometric switch	1	
29	GU90706178	O-ring 17,86X2,62	1	
3	GU95512081	Pin	2	
30	GU95100709	Gasket 20,1x28x2	1	
4	560110	Pin	1	
5	GU96508066	Stud bolt M8x66	3	
6	GU12018900	Coupling bush	2	

Assembly	Engine
Code	03.030
Description	Crankcases I
Review	1



FILTERS: none

Pos.	Code	Description	Q.ty	Variants
7	GU96508075	Stud bolt M8x75	2	
8	GU14615901	Washer 8,4X13X0,8	5	
9	GU92660021	Flanged nut M8	5	