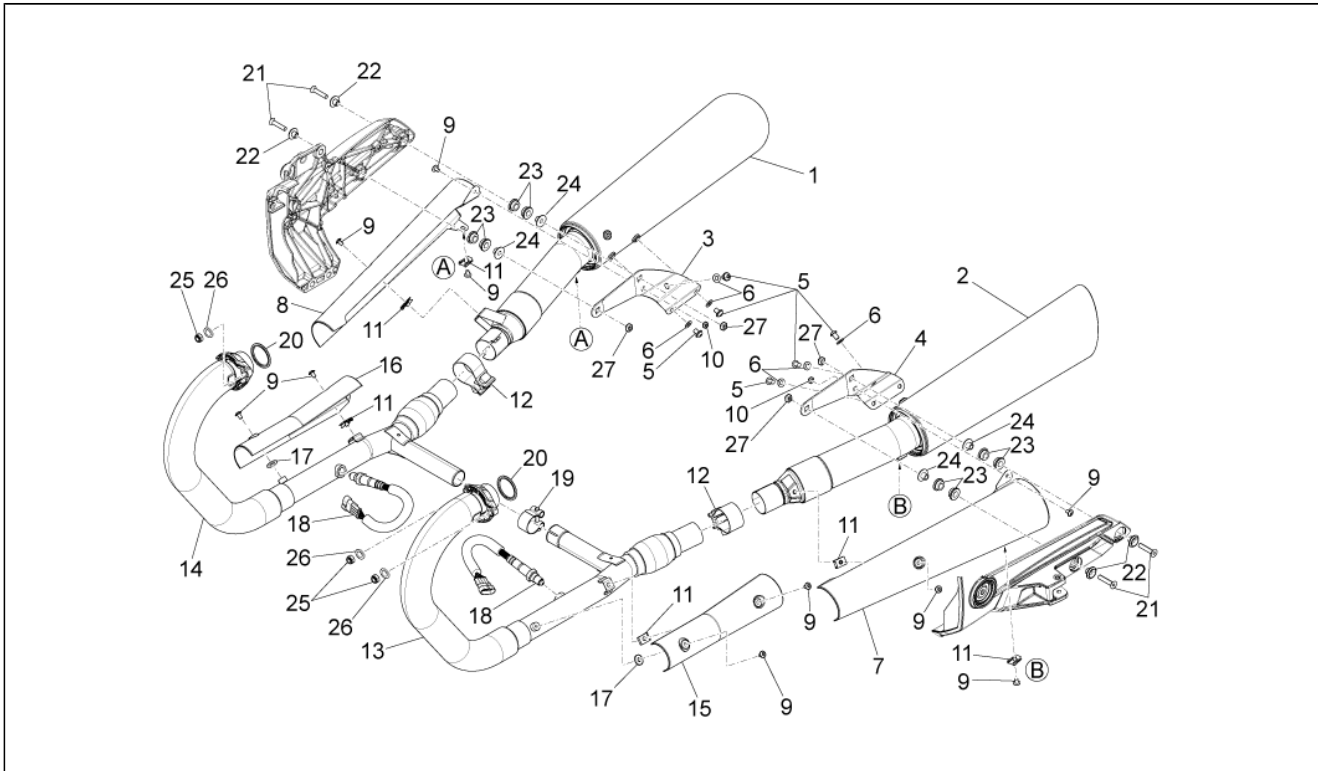


|             |              |
|-------------|--------------|
| Assembly    | Engine       |
| Code        | 03.330       |
| Description | Exhaust pipe |
| Review      | 1            |



FILTERS: none

| Pos. | Code           | Description                                  | Q.ty     | Variants |
|------|----------------|--|----------|----------|
| 1    | B064126        | RH silencer                                  | 1        |          |
| 2    | B064127        | LH silencer                                  | 1        |          |
| 3    | 887590         | Right silencer support bracket               | 1        |          |
| 4    | 887589         | Left silencer support bracket                | 1        |          |
| 5    | AP8152055      | Hex socket screw M8x12                       | 6        |          |
| 6    | GU95008308     | Washer                                       | 6        |          |
| 7    | B063595        | Chromed left silencer heat protection        | 1        |          |
| 8    | B063596        | Chromed right silencer heat protection       | 1        |          |
| 9    | 2B000215       | Screw w/ flange M6x10                        | 10       |          |
| 10   | AP8152313      | Captive nut M6                               | 2        |          |
| 11   | 254485         | Spring plate M6                              | 6        |          |
| 12   | B063293        | D.48 clamp                                   | 2        |          |
| 13   | 2B000145       | LH exhaust manifold                          | 1        |          |
| 14   | 2B000146       | RH exhaust manifold                          | 1        |          |
| 15   | <b>B063593</b> | <b>Chromed left manifold heat protection</b> | <b>1</b> |          |
| 16   | B063594        | Chromed right manifold heat protection       | 1        |          |
| 17   | 876879         | Spacer                                       | 2        |          |
| 18   | 584344         | Lamda sensor (L. 325 mm)                     | 2        |          |
| 19   | B063292        | D.37 clamp                                   | 1        |          |
| 20   | 976376         | Gasket                                       | 2        |          |
| 21   | B063114        | Coarse hexagonal countersunk screw           | 4        |          |
| 22   | 887816         | Bush   | 4        |          |
| 23   | AP8144558      | Rubber spacer                                | 8        |          |
| 24   | AP8121510      | Bush   | 4        |          |
| 25   | GU92660021     | Flanged nut M8                               | 4        |          |
| 26   | GU14615901     | Washer 8,4X13X0,8                            | 4        |          |
| 27   | AP8152300      | Self-locking nut M8                          | 4        |          |