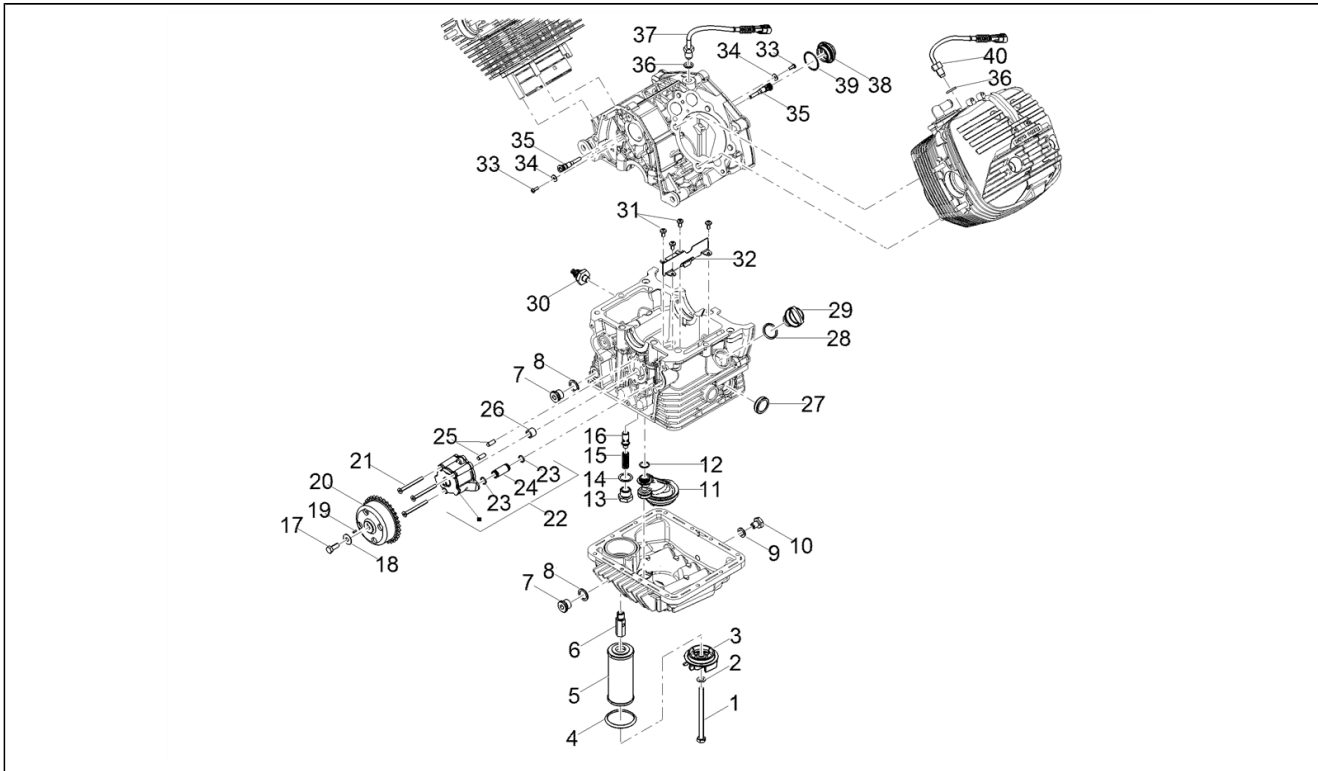


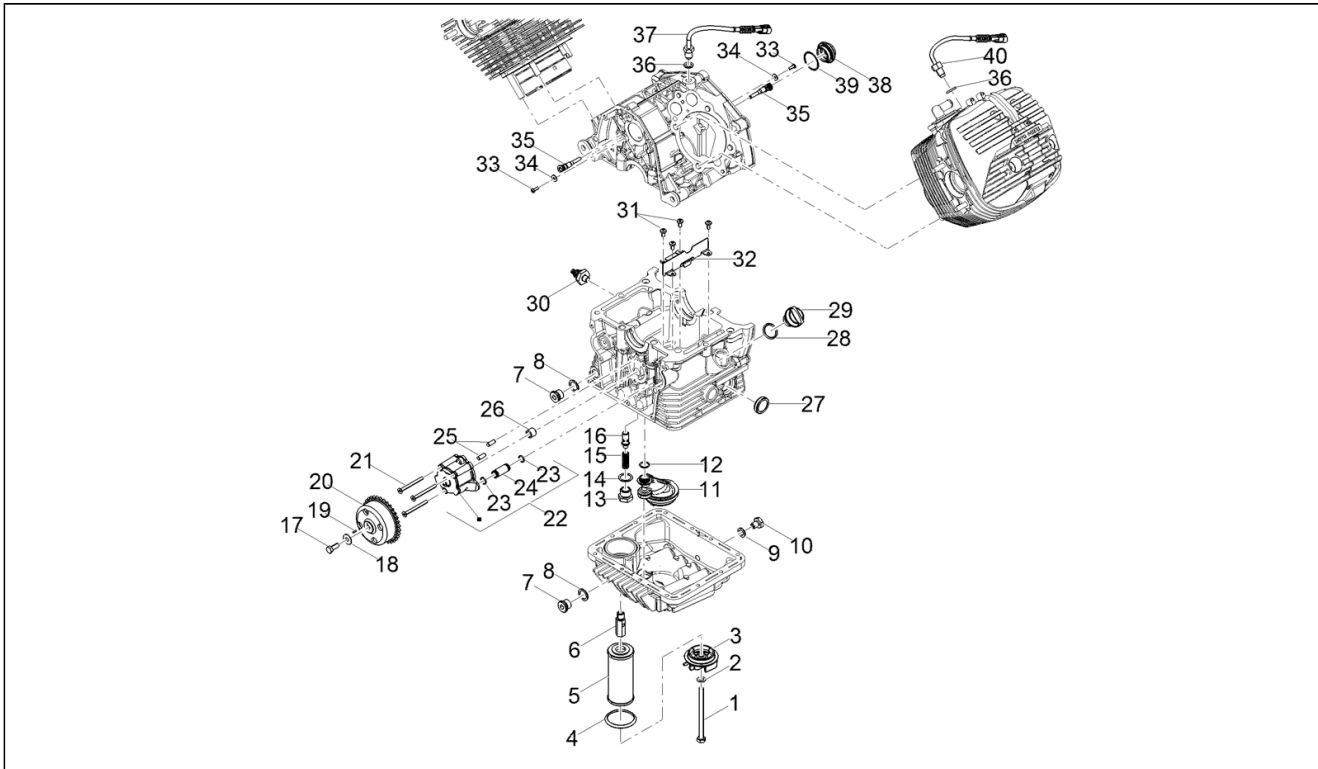
Assembly	Engine
Code	03.190
Description	Lubrication
Review	1



FILTERS: none

Pos.	Code	Description	Q.ty	Variants
1	GU27152885	Bolt	1	
2	GU12154200	Gasket 8,25x15x1	1	
3	1A013815	Oil filter cover	1	
4	GU90706444	O-ring	1	
5	2A000633	Oil filter	1	
6	GU19003800	Joint	1	
7	1A015068	Cover	2	
8	287174	Copper gasket	2	
9	GU10528900	Gasket	1	
10	GU31003766	Oil unload plug M10x1	1	
11	1A004549	Oil strainer	1	
12	237553	O-ring	1	
13	GU31159050	Cover	1	
14	GU18144350	Washer 18,25x24x1	1	
15	GU94321079	Spring	1	
16	1A014844	Oil pressure adjusting valve	1	
17	1A014410	Vite TE M7x18 preimpregnata	1	
18	1A014411	Belleville spring	1	
19	GU92296723	Roller	1	
20	1A015490	Oil pump gear	1	
21	1A008533	Countersunk-head screw M5x55	3	
22	1A015236	Oil pump assembly	1	
23	1A008325	Seal ring (o-ring)	2	
24	1A008291	Hose union	1	
25	GU19018920	Pin	2	
26	976168	Roller cage 10x14x12	1	
27	485693	Oil level indicator	1	

Assembly	Engine
Code	03.190
Description	Lubrication
Review	1



FILTERS: none

Pos.	Code	Description	Q.ty	Variants
28	1A014908	Seal ring (o-ring)	1	
29	1A015819	Oil load plug	1	
30	1A014570	Minimum oil pressure sensor	1	
31	1A003111	TCIC Screw M5x10	4	
32	1A008566	Panel	1	
33	1A005257	Oval head screw torx	2	
34	013763	Flat washer 4,2x12x1	2	
35	1A004442	Piston cooling jet	2	
36	969973	Washer	1	
37	1A016441	Oil temperature sensor	1	
38	B015598	Oil filter plug	1	
39	285536	O-ring 31,47x1,78	1	
40	1A014658	Temp. Sensor	1	